

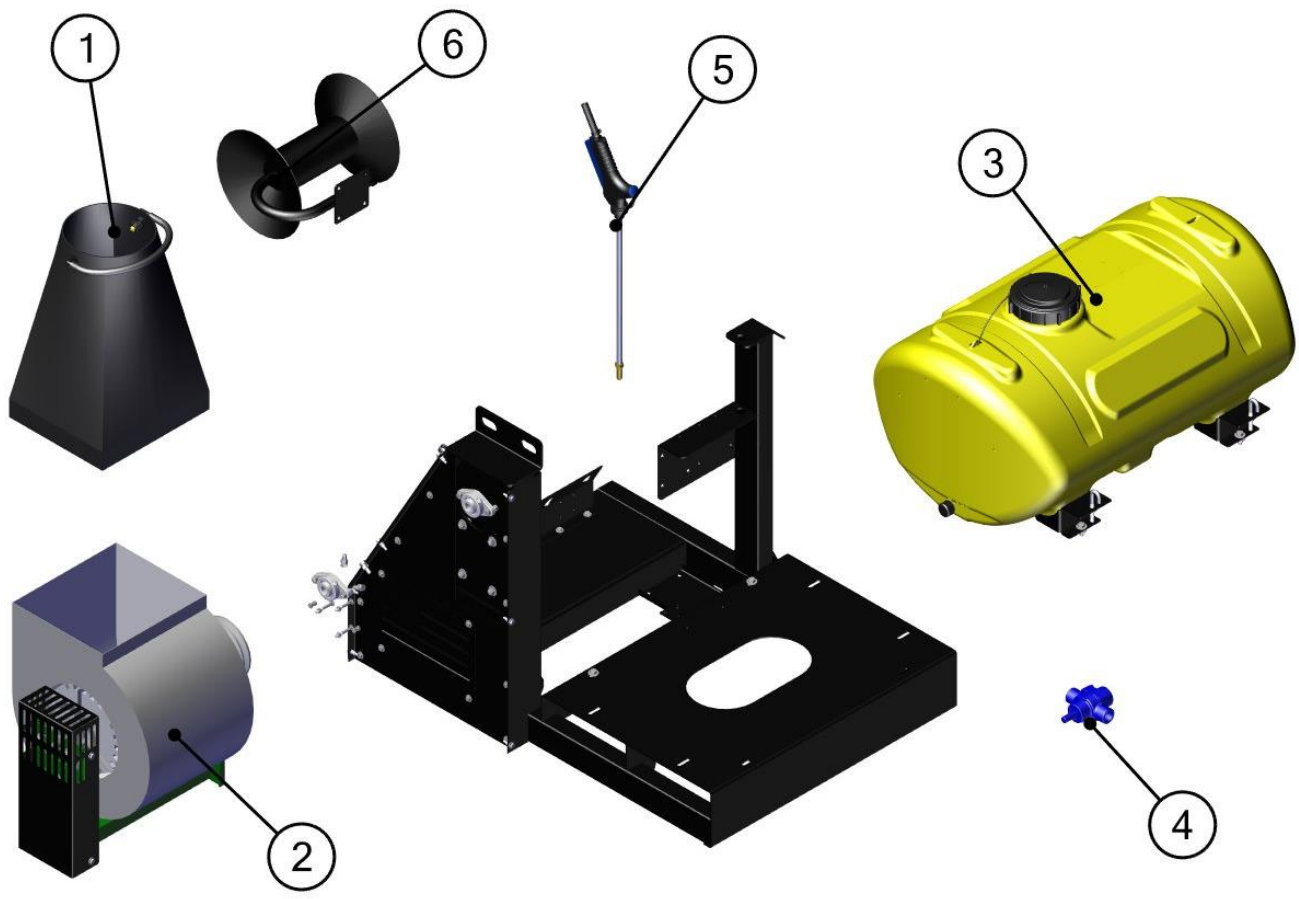


Cobra Parts Breakdown

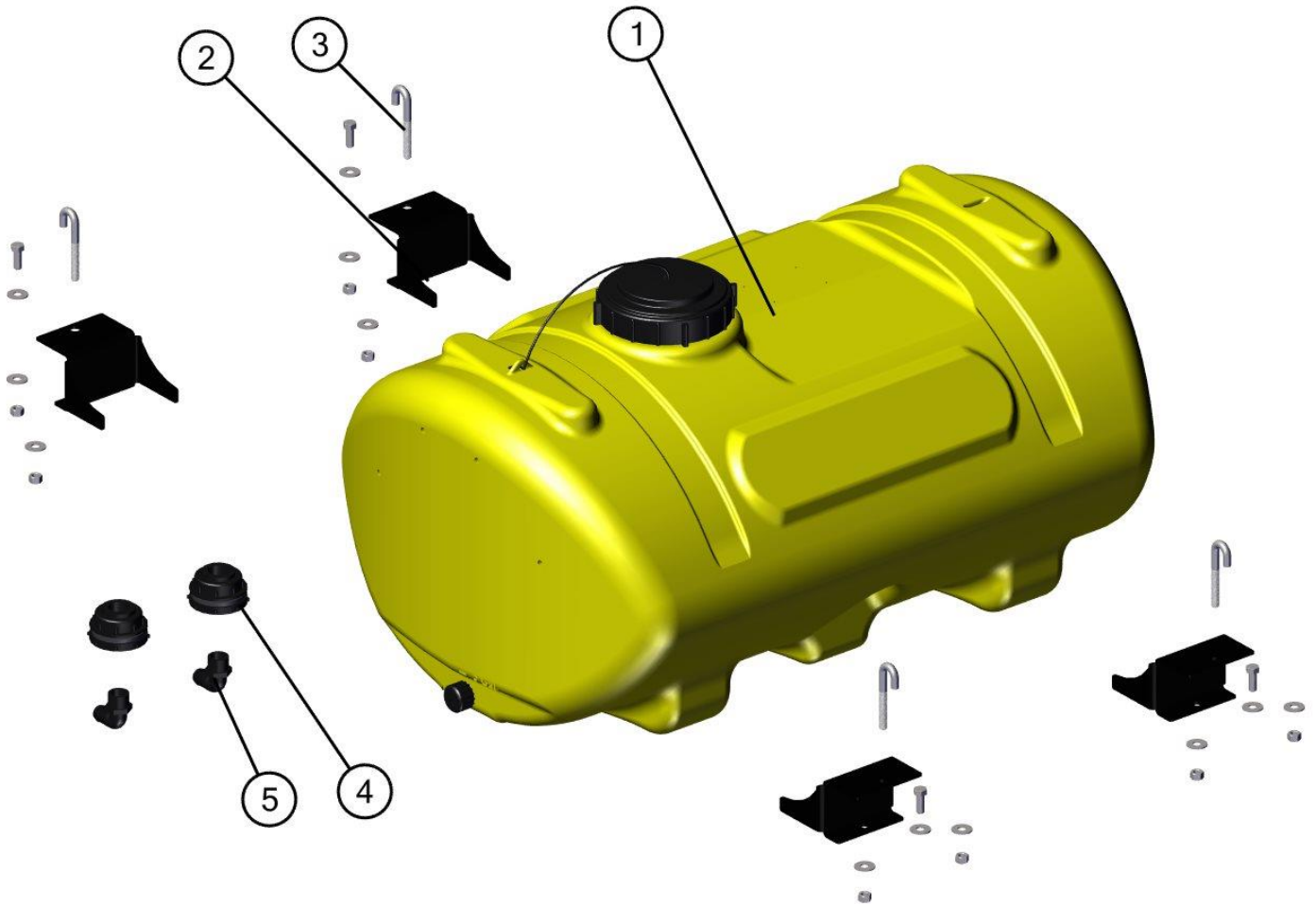


Travis Hanson, Dan Andersen
VALLEY INDUSTRIES | COBRA R20

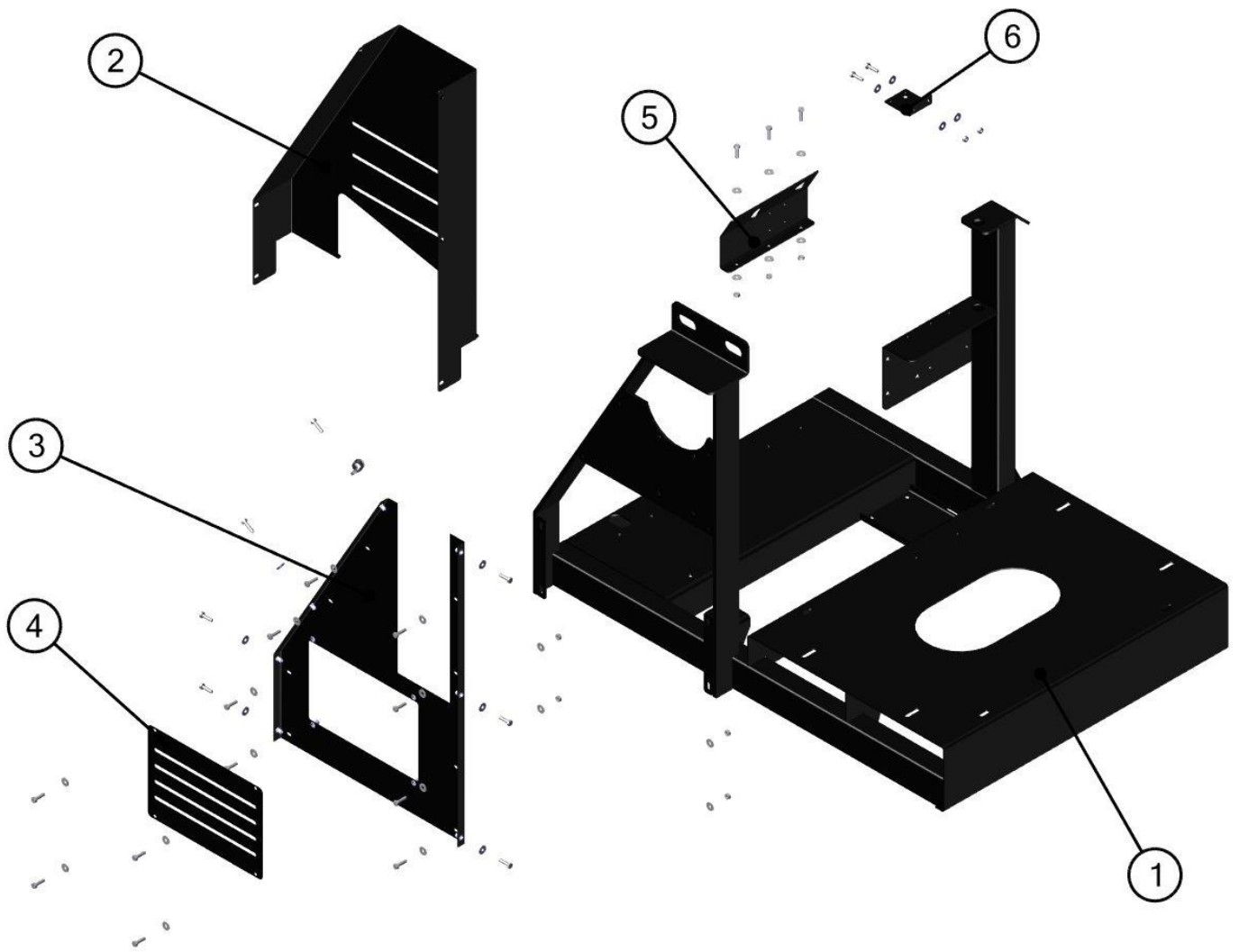
UPDATED: 1/22/2020



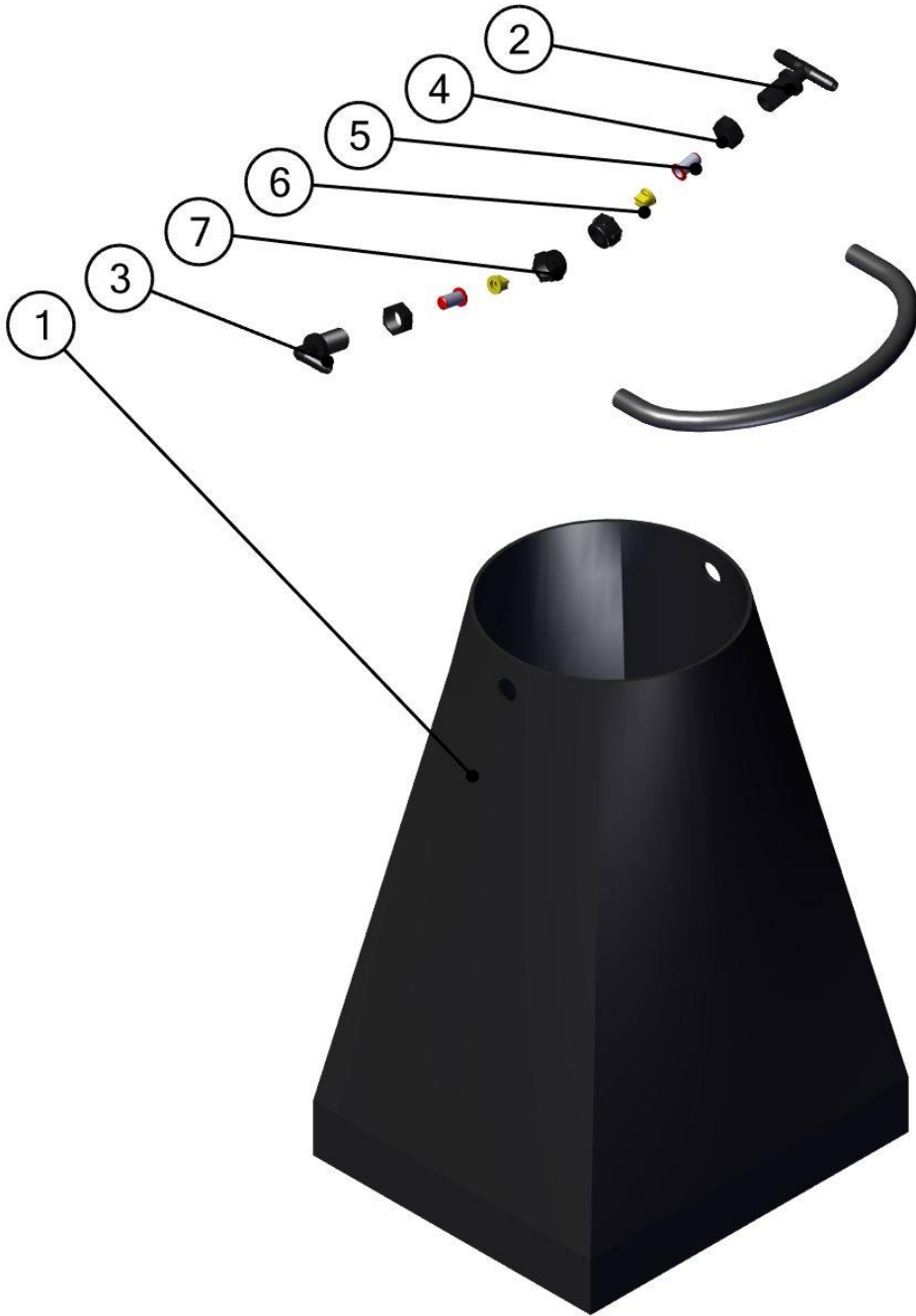
BOM ID	Description	Description	Qty
1	31-200232	COBRA VOLUTE	1
2	34-200103	ASSY., FAN, 10", COBRA	1
3	33-103274	TANK, 40GAL, WITH SUMP, YELLOW	1
4	4101C-R	PUMP, 4 ROLLER, REVERSE	1
5	SG-2218-38-RUB15	SPRAY GUN ASSY	1
6	HR-75	HOSE REEL, 75' (OPTIONAL)	1



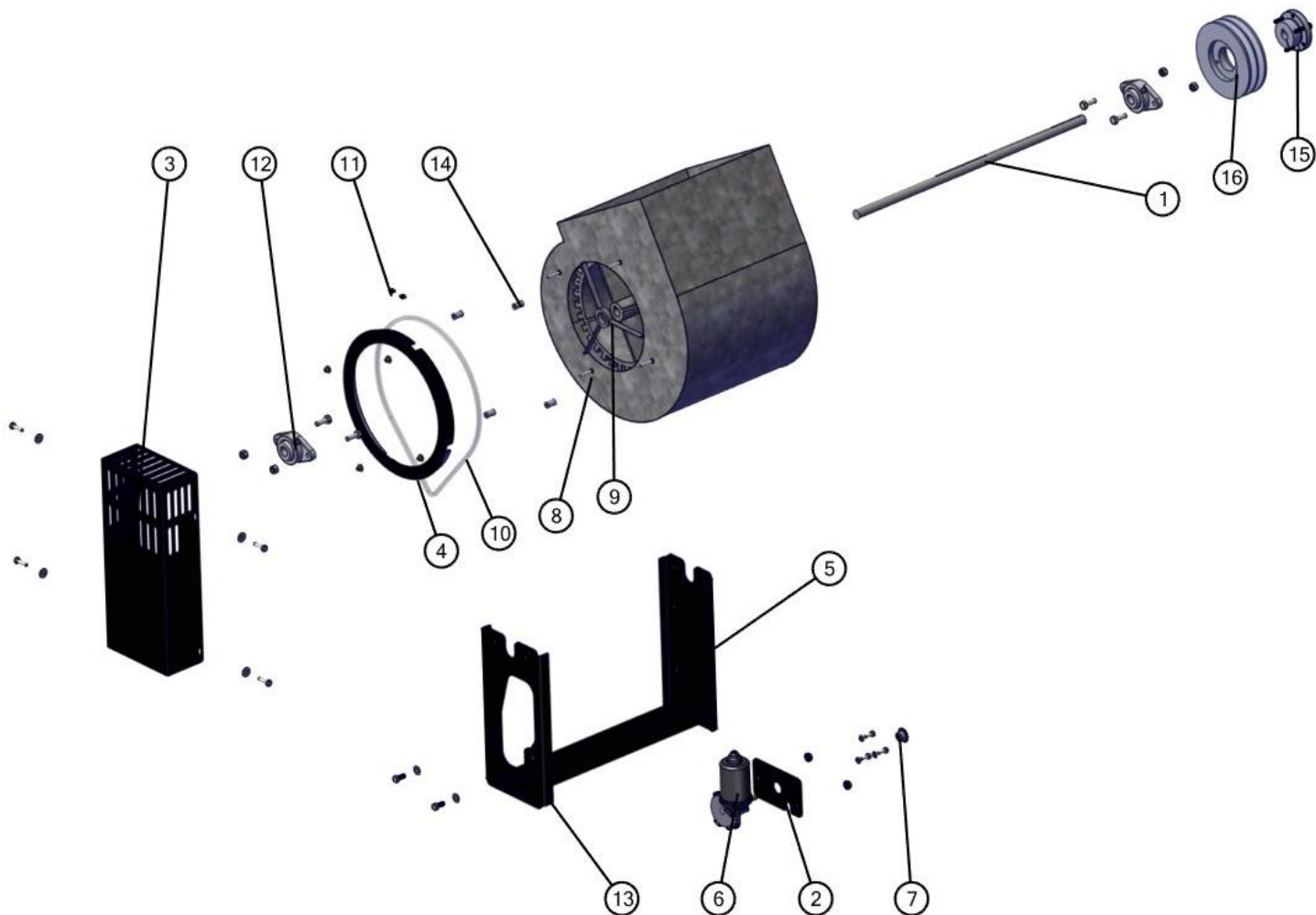
BOM ID	Description	Description	Qty
1	33-103274	TANK, 40GAL, WITH SUMP, YELLOW	1
2	31-200179	TANK GUIDE, 40/60 CRADLE	4
3	33-103501	BOLT, J, 3/8" X 5"	4
4	BHF34	BULK HEAD FITTING	2
5	3EL34	ELBOW: 3/4" MPT X 3/4" HB POLY	2



BOM ID	Description	Description	Qty
1	32-200232	FRAME, COBRA, MIST	1
2	31-200228	SHIELD, FAN, COBRA	1
3	31-200229	SHIELD, BLADE, COBRA	1
4	31-200241	COVER, GUARD, COBRA	1
5	31-200230	PANEL, FLUID, COBRA	1
6	31-200231	MOUNT, VALVE, COBRA	1



BOM ID	Description	Description	Qty
1	31-200232	COBRA VOLUTE	1
2	3NTT38-C	TEE, NZTHD-11/16" MPS X 3/8" HB	1
3	3NTL38-C	ELBOW, NXTHD-11/16" MPS X 3/8" HB	1
4	3B12	NOZZLE NUT: 11/16" POLY	2
5	NS-50	NOZZLE STRAINER, 50M RED	2
6	90.110.002	NOZZLE, FAN, 80 DEG	2
7	38027	NOZZLE NUT, 11/16" FPS, POLY	2



BOM ID	Name	Description	Qty
1	31-200244	SHAFT, FAN, COBRA	1
2	31-200302	PLATE, MOTOR ADJUSTMENT	1
3	31-200304	SHIELD, MOTOR, COBRA	1
4	32-200230	FAN TIMING MOUNT, 10" FAN, COBRA	1
5	32-200231	FRAME, WELDMENT, 10" FAN CARRIER, COBRA	1
6	33-200037	MOTOR, GEAR, BRASS INTERNALS, A1	1
7	33-200039	SPROCKET, 3/8", #25 X 13 TEETH	1
8	33-200086	RIVET, MG, 3/16" x .312-1.25	4
9	33-200099	FAN & BLOWER HOUSING, GALVANIZED, 10"	1
10	33-200109	CHAIN, ROLLER, #25, 40" LONG	1
11	33-200154	MASTER LINK, #25 CHAIN	2
12	33-200296	BEARING, FLANGED, 3/4" SHAFT, 2-BOLT	2
13	33-200326	RIVET,LRG FLANGE RIBBED NUTSERT,1/4-20,.165-.260	4
14	33-200328	SPACER, NYLON, 1/4"X3/4", COBRA	4
15	33-200347	BUSHING, PULLEY, 3/4" QD (SDS)	1
16	33-200350	SHEAVE, QD(SDS), 2-GRVE, 5.0" O.D.	1