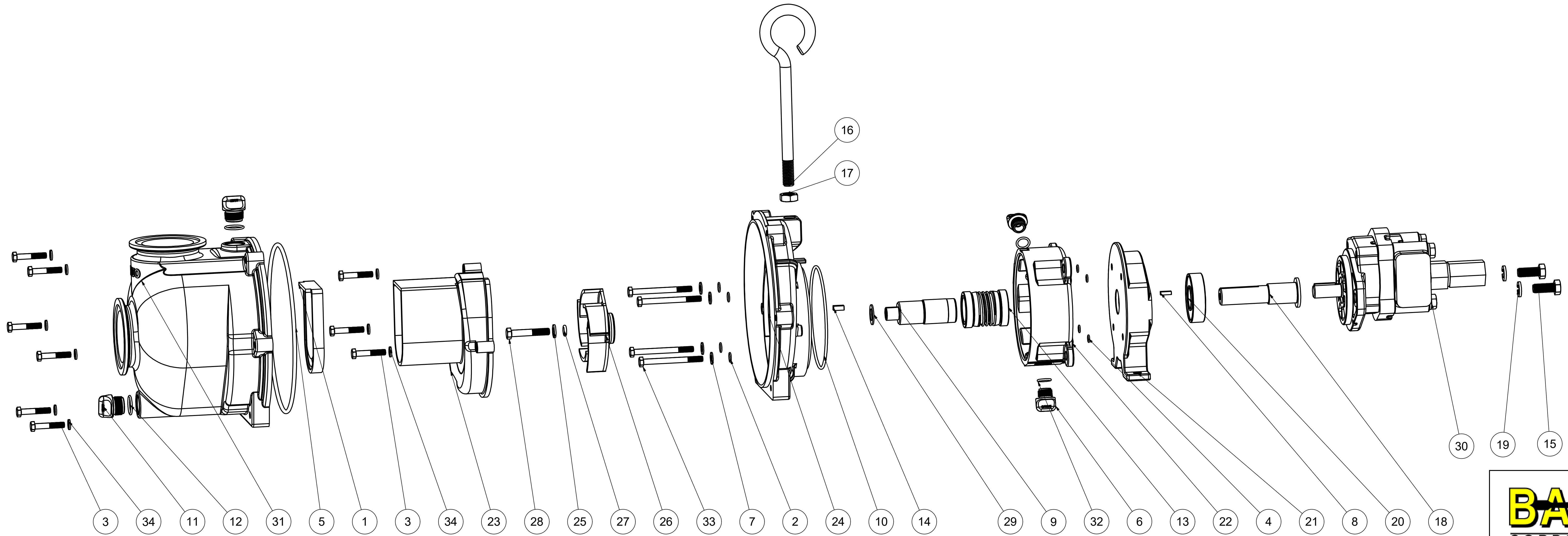


Parts List			
ITEM	QTY	PART NUMBER	DESCRIPTION
1	1	12705	PUMP CHECKVALVE, EPDM
2	4	12709	#13 O-RING, EPDM
3	9	12715A	5/16-24 X 1 3/4" HHCS WITH TORQ-PATCH
4	4	12717	#11 O'RING, EPDM
5	1	12719A	#375 O'RING, EPDM
6	2	12777	1/2" DRAIN PLUG
7	4	12901	5/16" FLAT WASHER
8	1	12902A	3/16" SQ. X 5/8" KEY
9	1	13055	ADAPTER SHAFT
10	1	13719	#256 O'RING, EPDM
11	2	13777	3/4" DRAIN PLUG
12	2	13778	#119 O'RING, EPDM
13	1	15035E	MECH. SEAL ASSY, EPDM
14	1	16901	1/4" SQ. X 3/4" KEY
15	2	17449	1/2-13 X 1 1/4" HHCS
16	1	18033	PUMP HANDLE
17	1	18034	5/8-11 JAM NUT
18	1	18055H	HYD. MTR. ADPT. SHAFT
19	2	18058	1/2" LOCKWASHER
20	1	18502	BEARING PEDESTAL BEARING
21	1	19001H	RES. BACKING PLATE
22	1	19201W	3" WET SEAL RESERVOIR
23	1	19702	3" CI PUMP VOLUTE
24	1	19703W	REAR BRACKET
25	1	19766	3/8" FLAT WASHER
26	1	19772SS	3" CI PUMP IMPELLER, 316 SS
27	1	A204	#204 O'RING, EPDM
28	1	BF207	3/8-16 X 2 1/4" HHCS
29	1	CV10175	GASKET, EPDM
30	1	HY1012	HYD. MTR. ASSY.
31	1	M19712X	3" CI MNFLD PUMP BODY
32	2	UV15163	#114 O'RING, EPDM
33	4	V10117	5/16 - 18 X 3 1/2" HHCS
34	9	V10118	5/16" LOCKWASHER



THIS DRAWING AND ALL INFORMATION CONTAINED THEREON ARE THE EXCLUSIVE PROPERTY OF BANJO CORPORATION.

UNLESS SPECIFICALLY NOTED, THIS DRAWING AND ITEMS SHOWN ON THIS DRAWING ARE SUBJECT TO CHANGE AT ANY TIME.

**BANJO CORPORATION**  
 150 BANJO DRIVE, CRAWFORDSVILLE, IN 47933  
 WEB SITE: WWW.BANJOCORP.COM  
 E-MAIL: SALES1@BANJOCORP.COM

DESCRIPTION  
**3" MANIFOLD CI PUMP W/ HYD. MTR**

PART NUMBER  
**M332PIHYW**