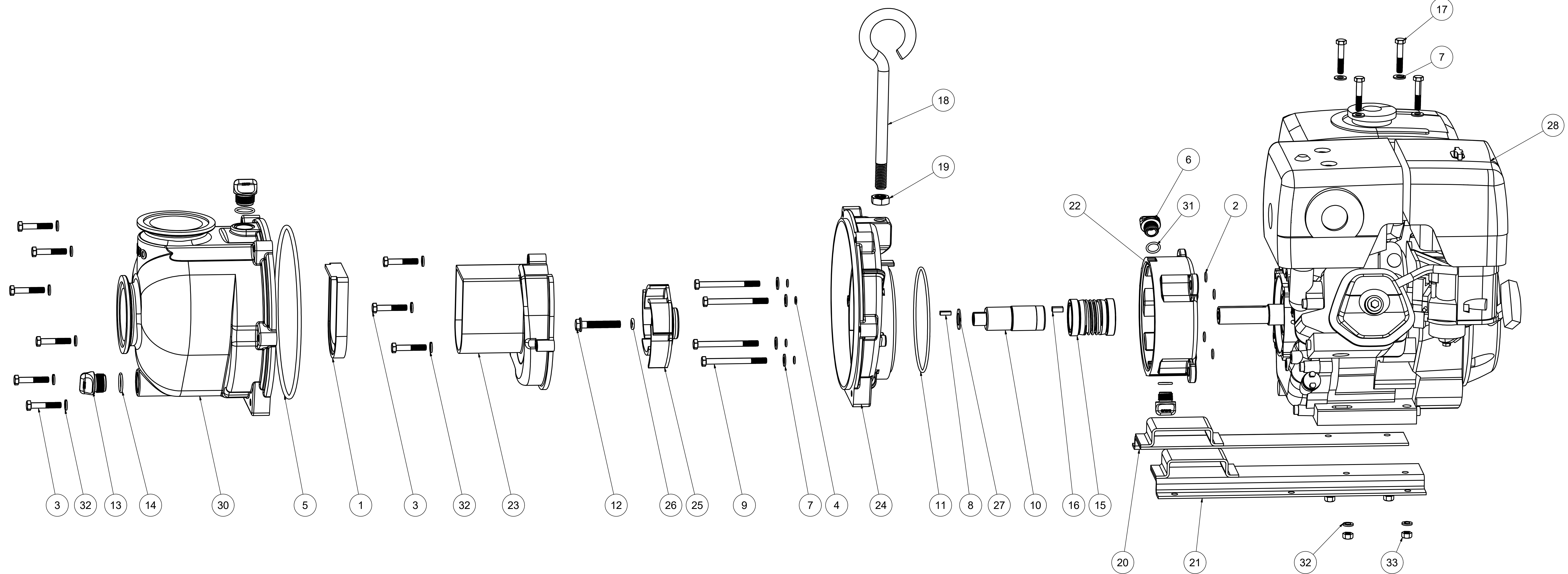


		Parts List	
ITEM	QTY	PART NUMBER	DESCRIPTION
1	1	12705	PUMP CHECKVALVE, EPDM
2	4	12709	#13 O-RING, EPDM
3	9	12715A	5/16-24 X 1 3/4" HHCS WITH TORQ-PATCH
4	4	12717	#11 O-RING, EPDM
5	1	12719A	#375 O-RING, EPDM
6	2	12777	1/2" DRAIN PLUG
7	8	12901	5/16" FLAT WASHER
8	1	12902A	3/16" SQ. X 5/8" KEY
9	4	13034	5/16-24 X 3 1/2" HHCS
10	1	13055	ADAPTER SHAFT
11	1	13719	#256 O-RING, EPDM
12	1	13766	3/8-24 X 2 1/4" HFS
13	2	13777	3/4" DRAIN PLUG
14	2	13778	#119 O-RING, EPDM
15	1	15035E	MECH. SEAL ASSY, EPDM
16	1	16901	1/4" SQ. X 3/4" KEY
17	4	17029	5/16-18 X 1.75" HHCS
18	1	18033	PUMP HANDLE
19	1	18034	5/8-11 JAM NUT
20	1	18135A	Z-RAIL
21	1	18135B	Z-RAIL
22	1	19201W	3" WET SEAL RESERVOIR
23	1	19702	3" CI PUMP VOLUTE
24	1	19703W	REAR BRACKET
25	1	19772SS	3" CI PUMP IMPELLER, 316 SS
26	1	A204	#204 O-RING, EPDM
27	2	CV10175	GASKET, EPDM
28	1	E13H	13 HP HONDA ENGINE
29	1	KK-57	WET SEAL WARNING TAG (N/S)
30	1	M19712X	3" CI MNFLD PUMP BODY
31	2	UV15163	#114 O-RING, EPDM
32	13	V10118	5/16" LOCKWASHER
33	4	V10119	5/16" HEX NUT



THIS DRAWING AND ALL INFORMATION CONTAINED THEREON ARE THE EXCLUSIVE PROPERTY OF BANJO CORPORATION.

UNLESS SPECIFICALLY NOTED, THIS DRAWING AND ITEMS SHOWN ON THIS DRAWING ARE SUBJECT TO CHANGE AT ANY TIME.

BANJO CORPORATION
 150 BANJO DRIVE, CRAWFORDSVILLE, IN 47933
 WEB SITE: WWW.BANJOCORP.COM
 E-MAIL: SALES1@BANJOCORP.COM

DESCRIPTION
3" CAST IRON WET SEAL PUMP

PART NUMBER
M332PIH13W