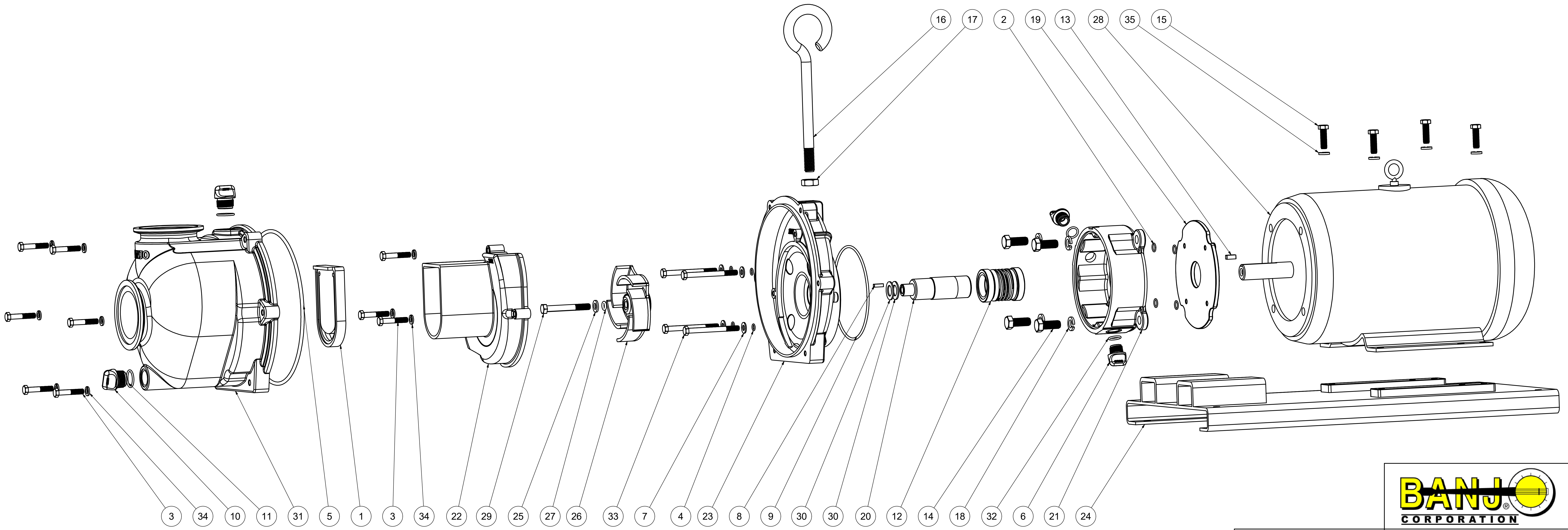


Parts List			
ITEM	QTY	PART NUMBER	DESCRIPTION
1	1	12705	PUMP CHECKVALVE, EPDM
2	4	12709	#13 O-RING, EPDM
3	9	12715A	5/16-24 X 1 3/4" HHCS WITH TORQ-PATCH
4	4	12717	#11 O-RING, EPDM
5	1	12719A	#375 O-RING, EPDM
6	2	12777	1/2" DRAIN PLUG
7	4	12901	5/16" FLAT WASHER
8	1	12902A	3/16" SQ. X 5/8" KEY
9	1	13719	#256 O-RING, EPDM
10	2	13777	3/4" DRAIN PLUG
11	2	13778	#119 O-RING, EPDM
12	1	15035E	MECH. SEAL ASSY, EPDM
13	1	16901	1/4" SQ. X 3/4" KEY
14	4	17449	1/2-13 X 1 1/4" HHCS
15	4	17704	3/8-16 X 1 1/4" HHCS
16	1	18033	PUMP HANDLE
17	1	18034	5/8-11 JAM NUT
18	4	18058	1/2" LOCKWASHER
19	1	19001	RES. BACKING PLATE
20	1	19055	ADAPTER SHAFT
21	1	19201W	3" WET SEAL RESERVOIR
22	1	19702	3" CI PUMP VOLUTE
23	1	19703W	REAR BRACKET
24	1	19741	BASE PLATE
25	1	19766	3/8" FLAT WASHER
26	1	19772SS	3" CI PUMP IMPELLER, 316 SS
27	1	A203V	#203 O-RING, FKM
28	1	BEM101-100	10 HP ELEC. MTR.
29	1	BF311	3/8-16 X 3" HHCS
30	2	CV10175	GASKET, EPDM
31	1	M19712X	3" CI MNFLD PUMP BODY
32	2	UV15163	#114 O-RING, EPDM
33	4	V10117	5/16 - 18 X 3 1/2" HHCS
34	9	V10118	5/16" LOCKWASHER
35	4	V20018	3/8" LOCKWASHER
36	1	KK-57	WET SEAL WARNING TAG (N/S)



THIS DRAWING AND ALL INFORMATION CONTAINED THEREON ARE THE EXCLUSIVE PROPERTY OF BANJO CORPORATION.
UNLESS SPECIFICALLY NOTED, THIS DRAWING AND ITEMS SHOWN ON THIS DRAWING ARE SUBJECT TO CHANGE AT ANY TIME.

BANJO CORPORATION
150 BANJO DRIVE, CRAWFORDSVILLE, IN 47933
WEB SITE: WWW.BANJOCORP.COM
E-MAIL: SALES1@BANJOCORP.COM

DESCRIPTION
3" CAST IRON WET SEAL PUMP - SINGLE PHASE

PART NUMBER
M332PIE101W