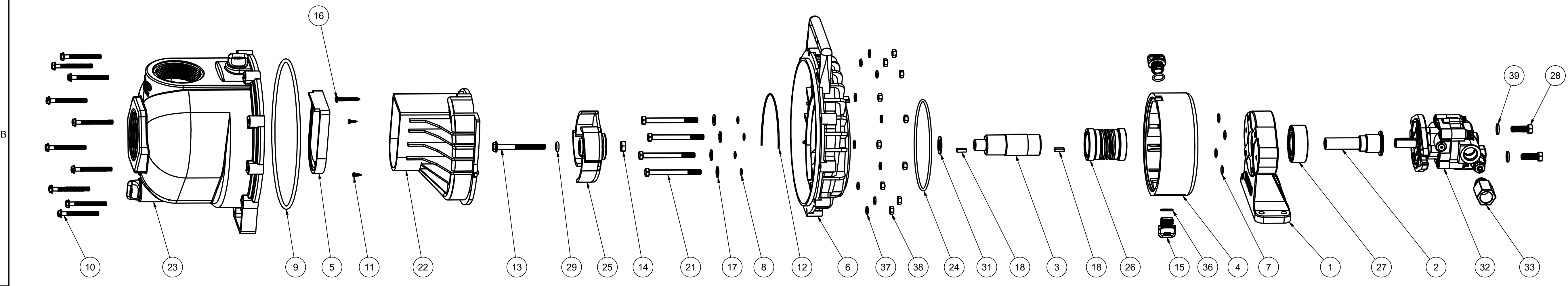


Parts List			
ITEM	QTY	PART NUMBER	DESCRIPTION
1	1	12049E	HYD. MOTOR PEDESTAL
2	1	12055D	HYD. ADAPTER SHAFT
3	1	12155	ADAPTER SHAFT
4	1	12202W	2" POLY RESERVOIR
5	1	12705	PUMP CHECKVALVE, EPDM
6	1	12707W	2" W.S. REAR BRACKET
7	4	12709	#13 O-RING, EPDM
8	4	12717	#11 O-RING, EPDM
9	1	12719A	#375 O-RING, EPDM
10	10	12720	1/4-20 X 2 1/2" SL IND HWHS
11	2	12725	#6 X 1/2" PPH SMS
12	1	12754	O-RING SEGMENT
13	1	12766	5/16-24 X 3 1/4" HFS
14	1	12775A	7/16-14 HEX NUT
15	2	12777	1/2" DRAIN PLUG
16	1	12900	#10 X 1 1/2" PPH SMS
17	4	12901	5/16" FLAT WASHER
18	2	12902A	3/16" SQ. X 5/8" KEY
19	1	12910	DECAL (N/S)
20	1	12911D	PSI DECAL (N/S)
21	4	13034	5/16-24 X 3 1/2" HHCS
22	1	13702	3" POLY PUMP VOLUTE
23	1	13712	3" POLY PUMP BODY ASSY.
24	1	13719	#256 O-RING, EPDM
25	1	13772	3" POLY PUMP IMPELLER
26	1	15035E	MECH. SEAL ASSY, EPDM
27	1	17056E	3206 BEARING
28	2	18010SS	3/8-16 X 1 1/8" HHCS
29	1	A204	#204 O-RING, EPDM
30	1	CE050D	CE DECAL (N/S)
31	1	CV10175	GASKET
32	1	HY10131	MGG20025BC1D3 GRESEN HYD MTR
33	1	HY10132	HYD. CHECK VALVE
34	1	KK-57	WET SEAL WARNING TAG (NS)
35	1	KK-78	HYD MTR WARNING TAG (NS)
36	2	UV15163	#114 O-RING, EPDM
37	10	V07018	1/4" LOCKWASHER
38	10	V07019	1/4-20 HEX NUT
39	2	V20018	3/8" LOCKWASHER



THIS DRAWING AND ALL INFORMATION CONTAINED THEREON ARE THE EXCLUSIVE PROPERTY OF BANJO CORPORATION.

UNLESS SPECIFICALLY NOTED, THIS DRAWING AND ITEMS SHOWN ON THIS DRAWING ARE SUBJECT TO CHANGE AT ANY TIME.

BANJO CORPORATION
150 BANJO DRIVE, CRAWFORDSVILLE, IN 47933
WEB SITE: WWW.BANJO.CORP.COM
E-MAIL: BANJOSALES@DEXCORP.COM

DESCRIPTION
3" POLY WET SEAL PUMP W/ HYDRAULIC MOTOR

PART NUMBER
300PHYW