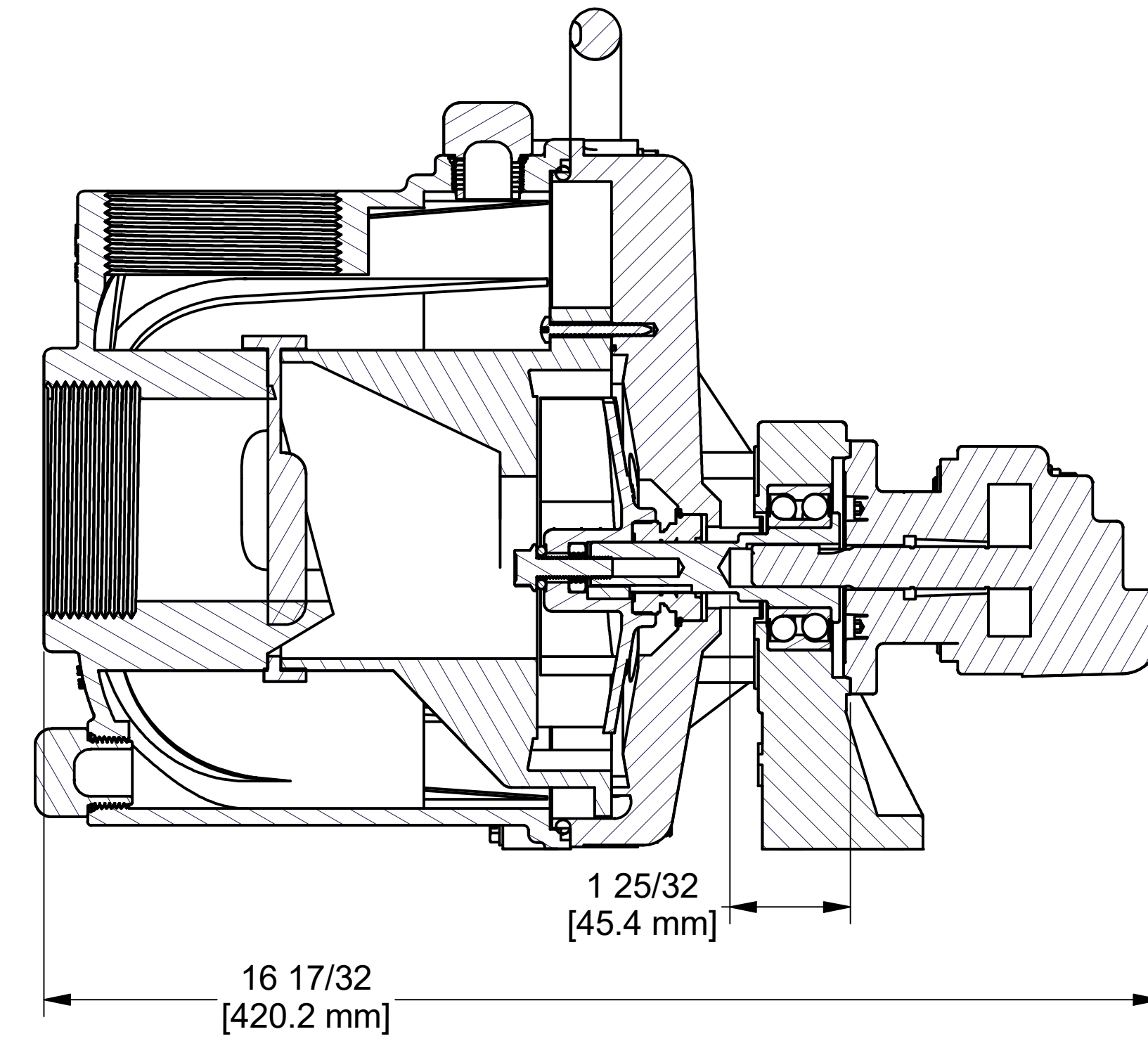
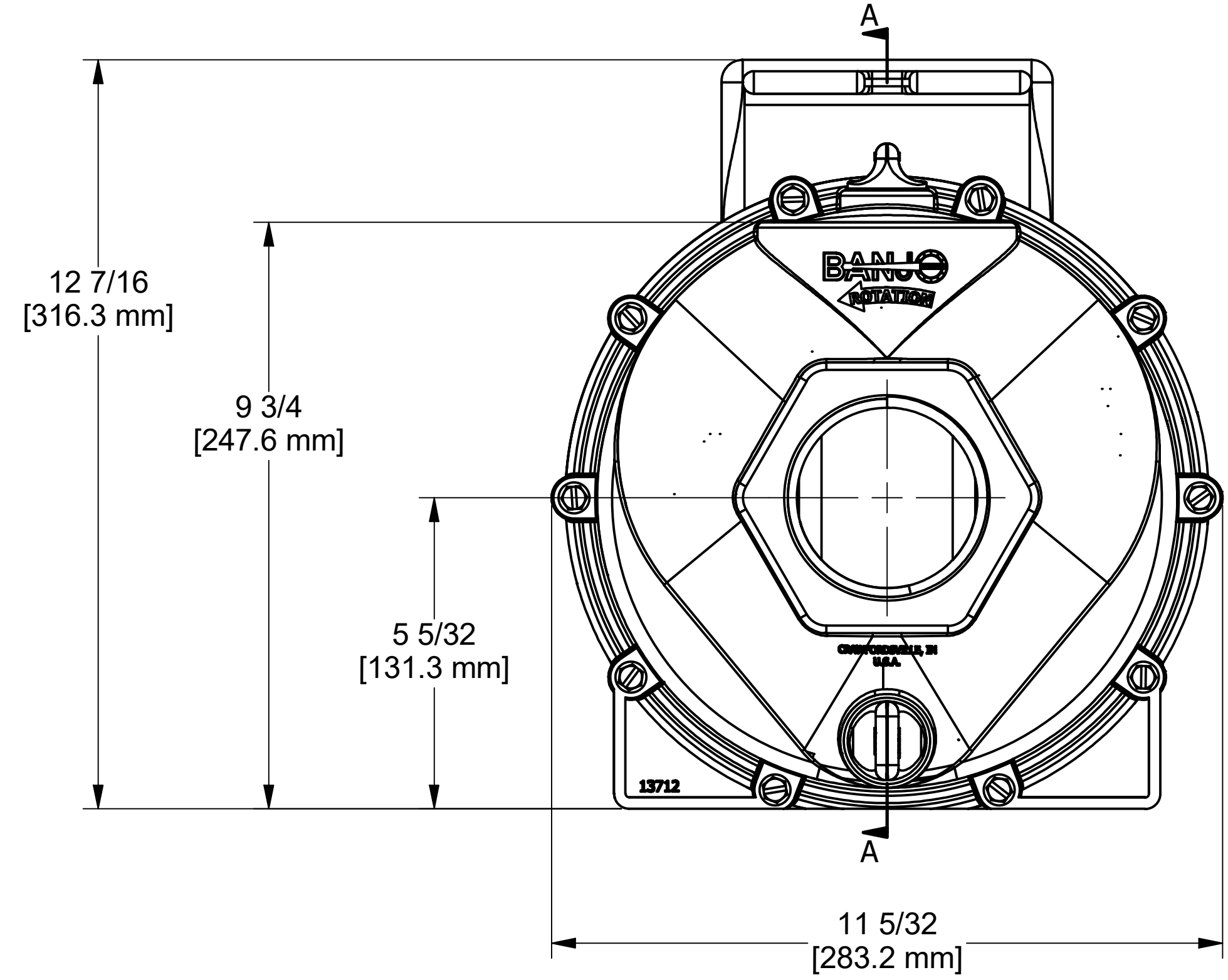
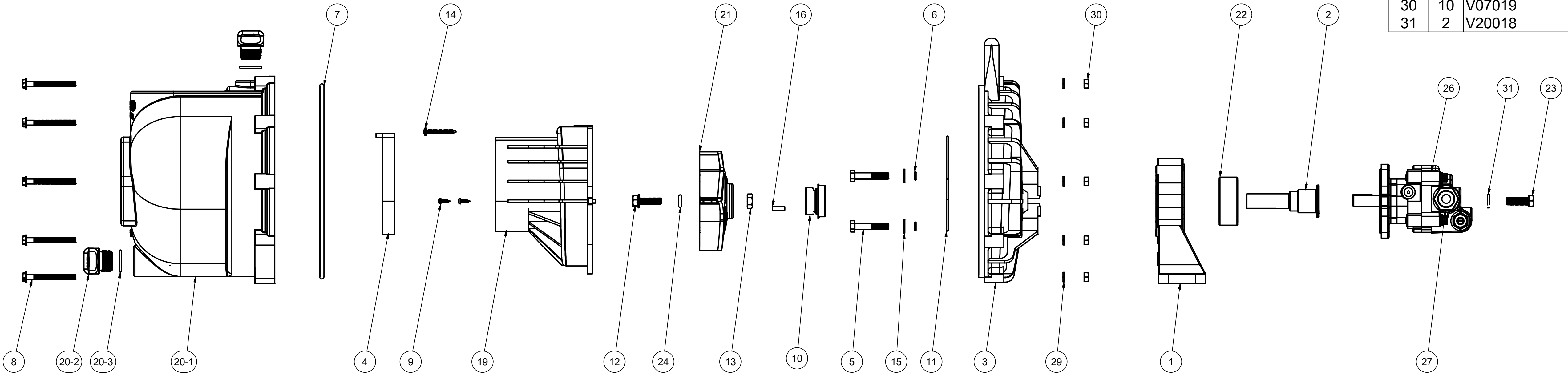


8 7 6 5 4 3 2 1



PARTS LIST			
ITEM	QTY	PART NUMBER	DESCRIPTION
1	1	12049E	HYD. MOTOR PEDESTAL
2	1	12055E	HYD. ADAPTER SHAFT
3	1	12703A	POLY PUMP REAR BRACKET
4	1	12705	PUMP CHECKVALVE, EPDM
5	4	12715A	5/16-24 X 1 3/4" HHCS WITH TORQ-PATCH
6	4	12717	AS568A -011 O-RING, EPDM
7	1	12719A	AS568A -375 O-RING, EPDM, BLACK
8	10	12720	1/4-20 X 2 1/2" SL IND HWHS
9	2	12725	#6 X 1/2" PPH SMS
10	1	12733	MECHANICAL SEAL ASSY
11	1	12754	O-RING SEGMENT
12	1	12765A	5/16-24 X 1 1/8" HFS
13	1	12775A	7/16-14 HEX NUT
14	1	12900	#10 X 1 1/2" PPH SMS
15	4	12901	5/16" FLAT WASHER
16	1	12902A	3/16" SQ. X 5/8" KEY
17	1	12910	DECAL (N/S)
18	1	12911D	PSI DECAL (N/S)
19	1	13702	3" POLY PUMP VOLUTE
20	1	13712	3" POLY PUMP BODY ASSY.
20-1	1	13712X	3" PUMP BODY
20-2	2	13777	3/4" DRAIN PLUG
20-3	2	13778	AS568A -119 O-RING, EPDM, BLACK
21	1	13772	3" POLY PUMP IMPELLER
22	1	17056E	3206 BEARING
23	2	18010SS	3/8-16 X 1 1/8" HHCS
24	1	A204	AS568A -204 O-RING, EPDM, BLACK
25	1	CE050D	CE DECAL (N/S)
26	1	HY10131	MGG20025BC1D3 GRESEN HYD MTR
27	1	HY10132	HYD. CHECK VALVE
28	1	KK-78	HYD MTR WARNING TAG (NS)
29	10	V07018	1/4" LOCKWASHER
30	10	V07019	1/4-20 HEX NUT
31	2	V20018	3/8" LOCKWASHER



THIS DRAWING AND ALL INFORMATION CONTAINED THEREON ARE THE EXCLUSIVE PROPERTY OF BANJO CORPORATION.

UNLESS SPECIFICALLY NOTED, THIS DRAWING AND ITEMS SHOWN ON THIS DRAWING ARE SUBJECT TO CHANGE AT ANY TIME.

BANJO CORPORATION
 150 BANJO DRIVE, CRAWFORDSVILLE, IN 47933
 WEB SITE: WWW.BANJO.CORP.COM
 E-MAIL: BANJOSALES@DEXCORP.COM

DESCRIPTION
3" POLY PUMP W/ HYDRAULIC MOTOR

PART NUMBER
300PHY

8 7 6 5 4 3 2 1