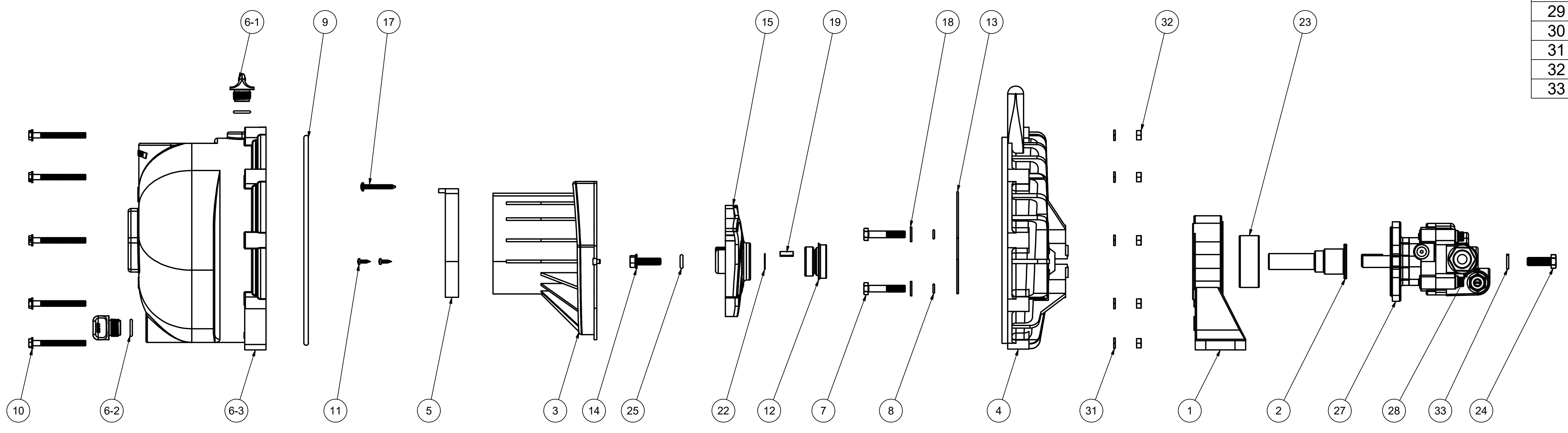


| PARTS LIST | | | |
|------------|-----|-------------|---------------------------------------|
| ITEM | QTY | PART NUMBER | DESCRIPTION |
| 1 | 1 | 12049E | HYD. MOTOR PEDESTAL |
| 2 | 1 | 12055E | HYD. ADAPTER SHAFT |
| 3 | 1 | 12702A | 2" POLY PUMP VOLUTE |
| 4 | 1 | 12703A | POLY PUMP REAR BRACKET |
| 5 | 1 | 12705 | PUMP CHECKVALVE, EPDM |
| 6 | 1 | 12712AP | 2" POLY PUMP BODY |
| 6-1 | 2 | 12777 | 1/2" DRAIN PLUG |
| 6-2 | 2 | UV15163 | #114 O'RING, EPDM |
| 6-3 | 1 | X12712A | 2" POLY PUMP BODY |
| 7 | 4 | 12715A | 5/16-24 X 1 3/4" HHCS WITH TORQ-PATCH |
| 8 | 4 | 12717 | AS568A -011 O-RING, EPDM |
| 9 | 1 | 12719A | AS568A -375 O-RING, EPDM, BLACK |
| 10 | 10 | 12720 | 1/4-20 X 2 1/2" SL IND HWHS |
| 11 | 2 | 12725 | #6 X 1/2" PPH SMS |
| 12 | 1 | 12733 | MECHANICAL SEAL ASSY |
| 13 | 1 | 12754 | O'RING SEGMENT |
| 14 | 1 | 12765A | 5/16-24 X 1 1/8" HFS |
| 15 | 1 | 12772 | IMPELLER |
| 16 | 1 | 12775A | 7/16-14 HEX NUT |
| 17 | 1 | 12900 | #10 X 1 1/2" PPH SMS |
| 18 | 4 | 12901 | 5/16" FLAT WASHER |
| 19 | 1 | 12902A | 3/16" SQ. X 5/8" KEY |
| 20 | 1 | 12910 | DECAL (N/S) |
| 21 | 1 | 12911D | PSI DECAL |
| 22 | 1 | 15752 | IMPELLER SHIM |
| 23 | 1 | 17056E | 3206 BEARING |
| 24 | 2 | 18010SS | 3/8-16 X 1 1/8" HHCS |
| 25 | 1 | A204 | AS568A -204 O-RING, EPDM, BLACK |
| 26 | 1 | CE050D | CE DECAL |
| 27 | 1 | HY10131 | MGG20025BC1D3 GRESEN HYD MTR |
| 28 | 1 | HY10132 | HYD. CHECK VALVE |
| 29 | 1 | KK-46 | PUMP BOOK-HYDRAULIC |
| 30 | 1 | KK-78 | HYD MTR WARNING TAG (N/S) |
| 31 | 10 | V07018 | 1/4" LOCKWASHER |
| 32 | 10 | V07019 | 1/4-20 HEX NUT |
| 33 | 2 | V20018 | 3/8" LOCKWASHER |



THIS DRAWING AND ALL INFORMATION CONTAINED THEREON ARE THE EXCLUSIVE PROPERTY OF BANJO CORPORATION.

UNLESS SPECIFICALLY NOTED, THIS DRAWING AND ITEMS SHOWN ON THIS DRAWING ARE SUBJECT TO CHANGE AT ANY TIME.

BANJO CORPORATION
 150 BANJO DRIVE, CRAWFORDSVILLE, IN 47933
 WEB SITE: WWW.BANJO.CORP.COM
 E-MAIL: BANJOSALES@DEXCORP.COM

DESCRIPTION
2" POLY PUMP W/ HYD. MOTOR

PART NUMBER
200PHY