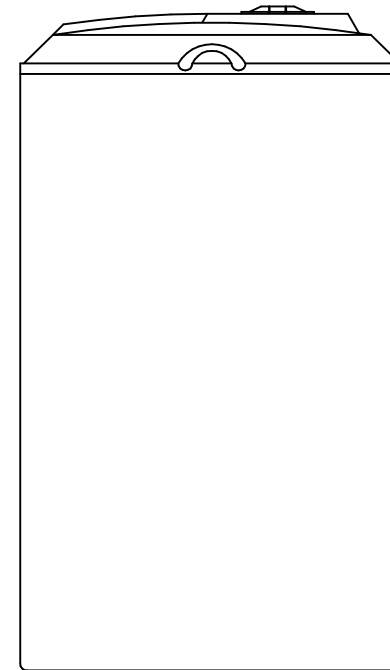
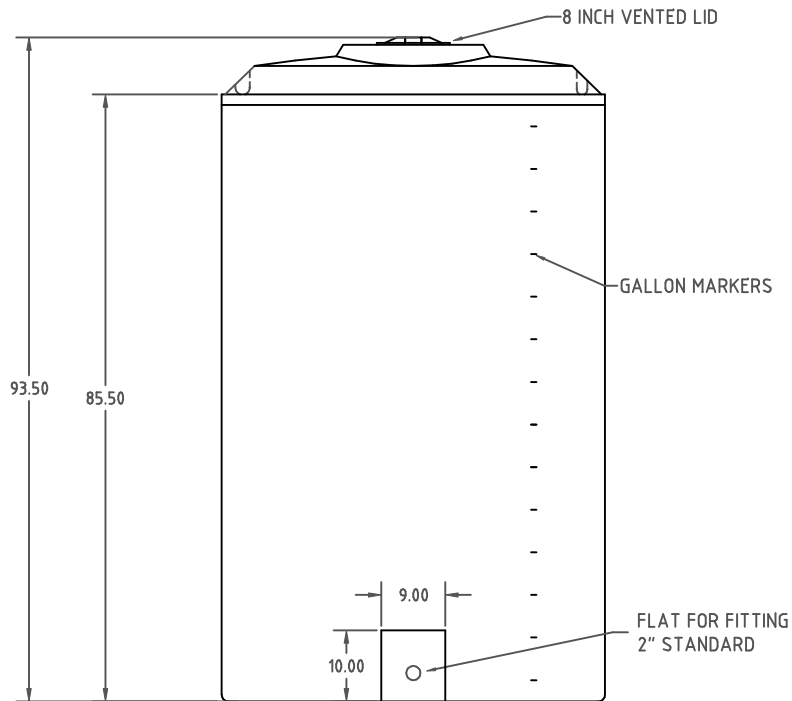
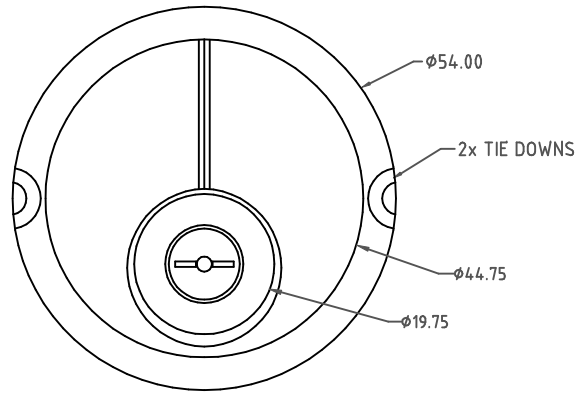


© DEN HARTOG INDUSTRIES, INC.

Copyright. All information furnished within this document, electronic file or design correspondence is the property of Den Hartog Industries, Inc. and shall not be used, disclosed to others or copied without the expressed written consent of Den Hartog Industries, Inc.

VT0850-54

B



B	ADDRESS ADDED CCN 1856 ADH 5/5/09	
A	CHANGED TOP 9/8/05	
REV	DESCRIPTION	DATE APPRD.

ALL DIMENSIONS ARE IN DECIMAL INCHES
TOLERANCES UNLESS OTHERWISE SPECIFIED
± 1% @ 68° F

DRAWN /DATE	DHJ 5/2/03
APPRD. /DATE	ADH 11/19/07
THIRD ANGLE PROJECTION ANSI 14.5M	

MATERIAL / SHOT WEIGHT	POLYETHYLENE 182 LBS.
NOTES:	1. .28 NOM. WALL 2. OPTIONAL 16" LID

Ace Roto-Mold A DIVISION OF DEN HARTOG INDUSTRIES, INC. 4010 HOSPERS DRIVE S. BOX 425, HOSPERS, IOWA 51238-0421 ©	
CLIENT / DESCRIPTION	
850 GALLON VERTICAL	
SCALE	PART NO.
NONE	VT0850-54