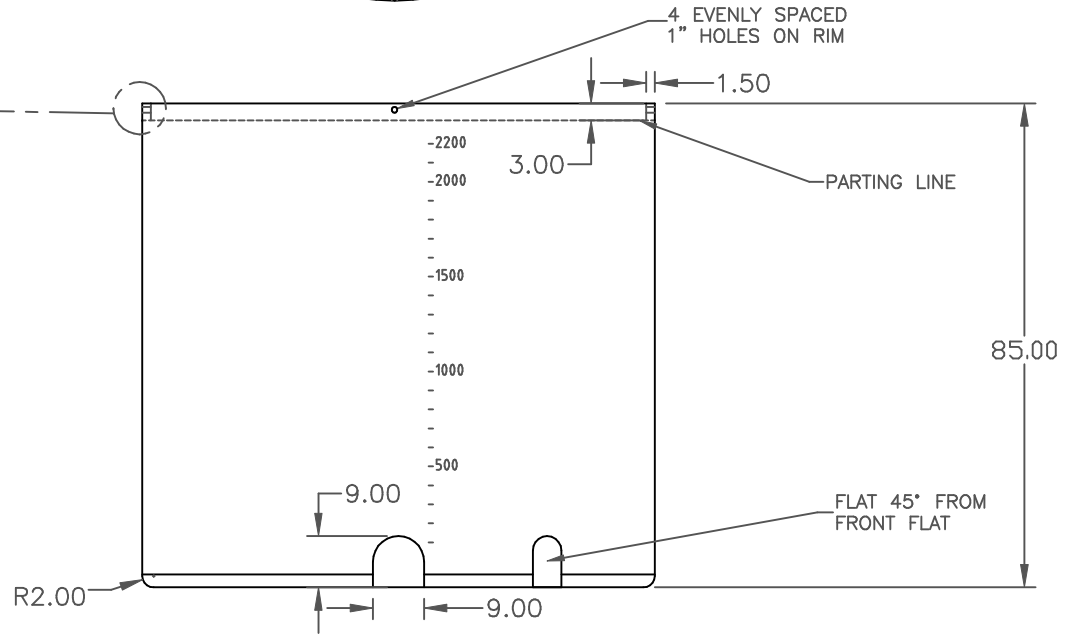
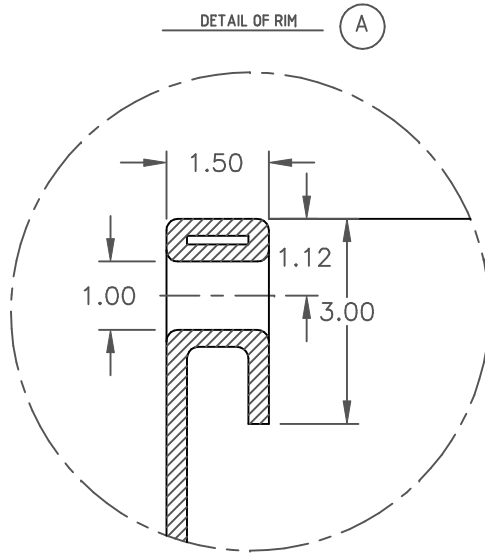
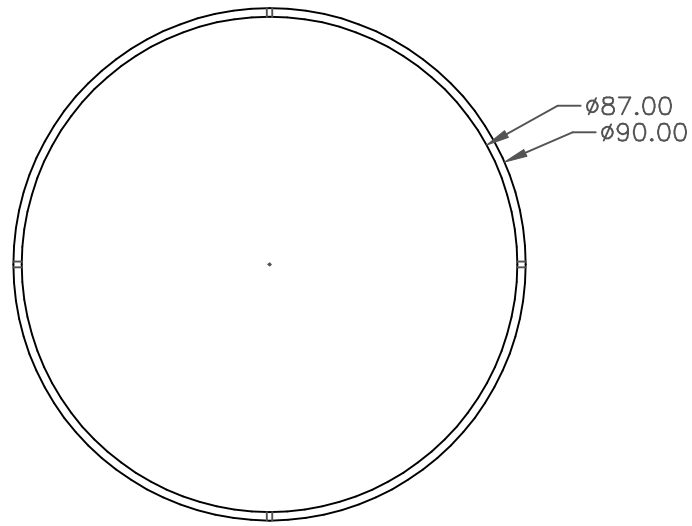


PROPRIETARY DATA

PROPERTY OF ACE ROTO-MOLD MFG., INC. INFORMATION FURNISHED HEREIN IS THE PROPERTY OF ACE ROTO-MOLD MFG., INC. AND SHALL NOT BE USED, DISCLOSED TO OTHERS, OR COPIED WITHOUT THE EXPRESSED WRITTEN CONSENT OF ACE ROTO-MOLD MFG., INC. ALL RIGHTS RESERVED.

OP2200-90

A



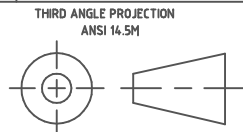
					DRAWN / DATE NVE 6/13/05	MATERIAL HDPE OR EQUIVALENT REFERENCE MATERIAL DATA SHEET FOR SPECIFIC PROPERTIES.
A	CLEARIFY THROUGH HOLE	4/8/08	DHJ	1643	APPRD. / DATE DHJ 6/22/05	
REV	DESCRIPTION	DATE	APPRD	CCN		

**ACE ROTO-MOLD**  
A DIVISION OF DEN HARTOG INDUSTRIES, INC.  
4010 HOSPERS DRIVE SOUTH, BOX 425, HOSPERS, IOWA 51238

CLIENT / DESCRIPTION  
2200 GALLON OPEN TOP TANK

ALL DIMENSIONS ARE IN DECIMAL INCHES  
TOLERANCES UNLESS OTHERWISE SPECIFIED

± 1% @ 68° F



- NOTES:
- 0.410 THICK AT FLAT
  - WHITE OR COLOR
  - SHOT WEIGHT 365 LBS.
  - SHIP WEIGHT 365 LBS.

SCALE  
N.S.

PART NO.  
OP2200-90