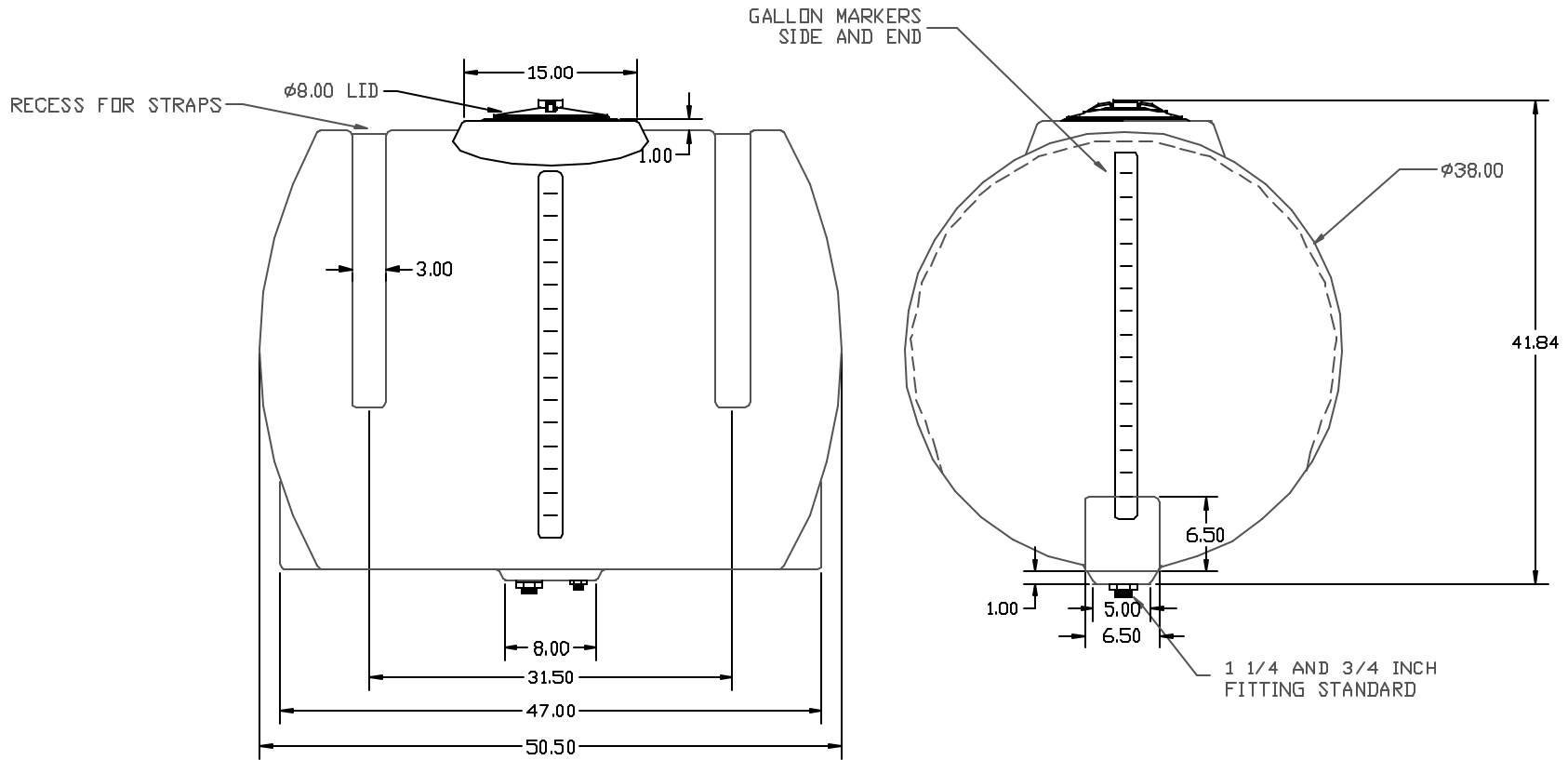



PROPRIETARY DATA

HZ0200-38

PROPERTY OF ACE ROTO-MOLD MFG., INC. INFORMATION FURNISHED HEREIN IS THE PROPERTY OF ACE ROTO-MOLD MFG., INC. AND SHALL NOT BE USED, DISCLOSED TO OTHERS, OR COPIED WITHOUT THE EXPRESSED WRITTEN CONSENT OF ACE ROTO-MOLD MFG., INC. ALL RIGHTS RESERVED.



				DRAWN / DATE NVE 6/8/15	MATERIAL
				APPRD. / DATE DHJ 6/21/15	HDPE OR EQUIVALENT REFERENCE MATERIAL DATA SHEET FOR SPECIFIC PROPERTIES.
REV	DESCRIPTION	DATE	APPRD		
ALL DIMENSIONS ARE IN DECIMAL INCHES TOLERANCES UNLESS OTHERWISE SPECIFIED ± 1% @ 68° F				THIRD ANGLE PROJECTION ANSI 14.5M	NOTES: 1. NOM. WALL @ .211 2. WHITE OR COLD R 3. SHOT WEIGHT 64 LBS.

 <b>Ace Roto-Mold</b> A DIVISION OF DEN HARTOG INDUSTRIES, INC. 4018 HWY. 61 BLVD., BOX 421, HOSPERS, IOWA 51238			
CLIENT / DESCRIPTION		21 GALLON HORIZONTAL TANK 138" DIAI	
SCALE	N.S.	PART NO.	HZ0200-38