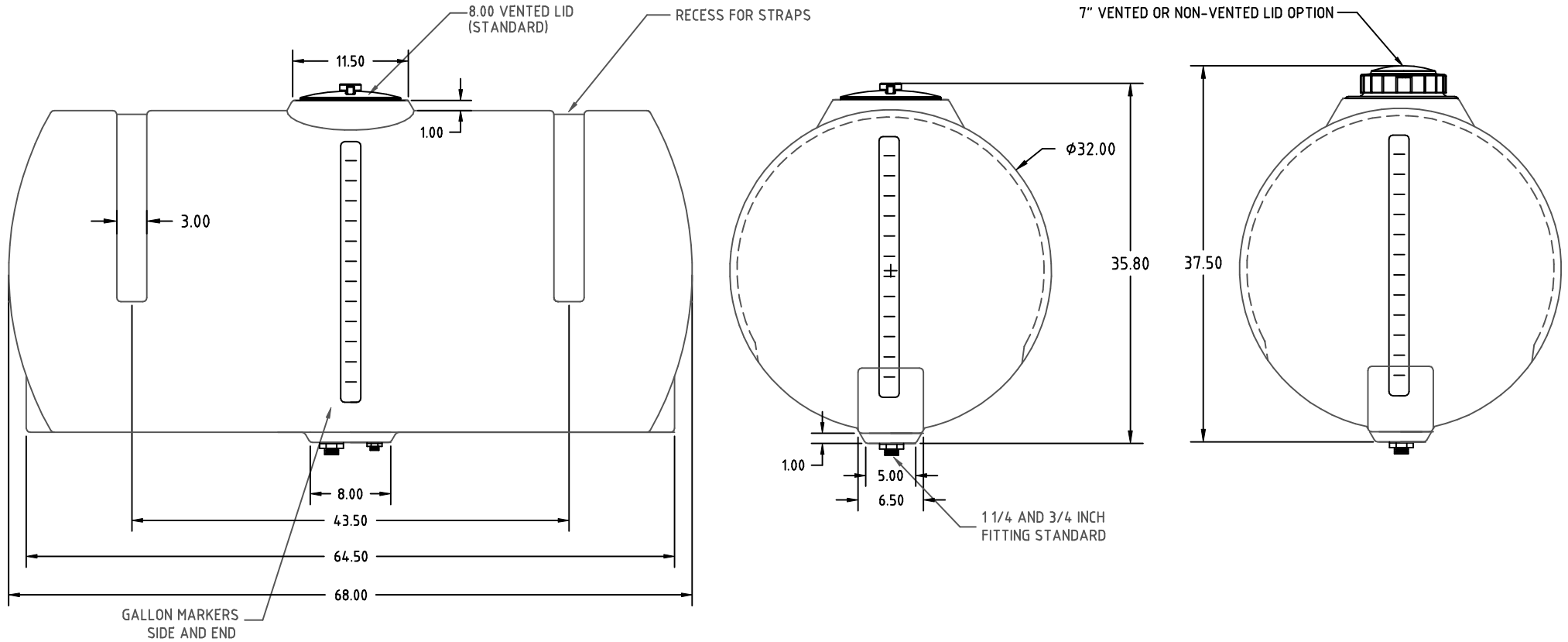

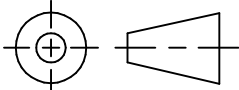


Copyright. All information furnished within this document, electronic file or design correspondence is the property of Den Hartog Industries, Inc. and shall not be used, disclosed to others or copied without the expressed written consent of Den Hartog Industries, Inc.



			DRAWN / DATE NVE 6/7/05	MATERIAL	 ACE ROTO-MOLD A DIVISION OF DEN HARTOG INDUSTRIES, INC. 4010 HOSPERS DRIVE S., BOX 425, HOSPERS, IA 51238
A	ADDED 7" LID OPTION CCN 1860	REH 5/8/09	APPRD. / DATE DHJ 6/21/05	HDPE OR EQUIVALENT REFERENCE MATERIAL DATA SHEET FOR SPECIFIC PROPERTIES.	
REV	DESCRIPTION	DATE	APPRD		CLIENT / DESCRIPTION 200 GALLON HORIZONTAL TANK (32" DIA.)
ALL DIMENSIONS ARE IN DECIMAL INCHES TOLERANCES UNLESS OTHERWISE SPECIFIED \pm 1% @ 68° F			THIRD ANGLE PROJECTION ANSI 14.5M 	NOTES: 1. NOM. WALL @ .210 2. WHITE OR COLOR 3. SHOT WEIGHT 64 LBS.	SCALE N.S. PART NO. HZ0200-32