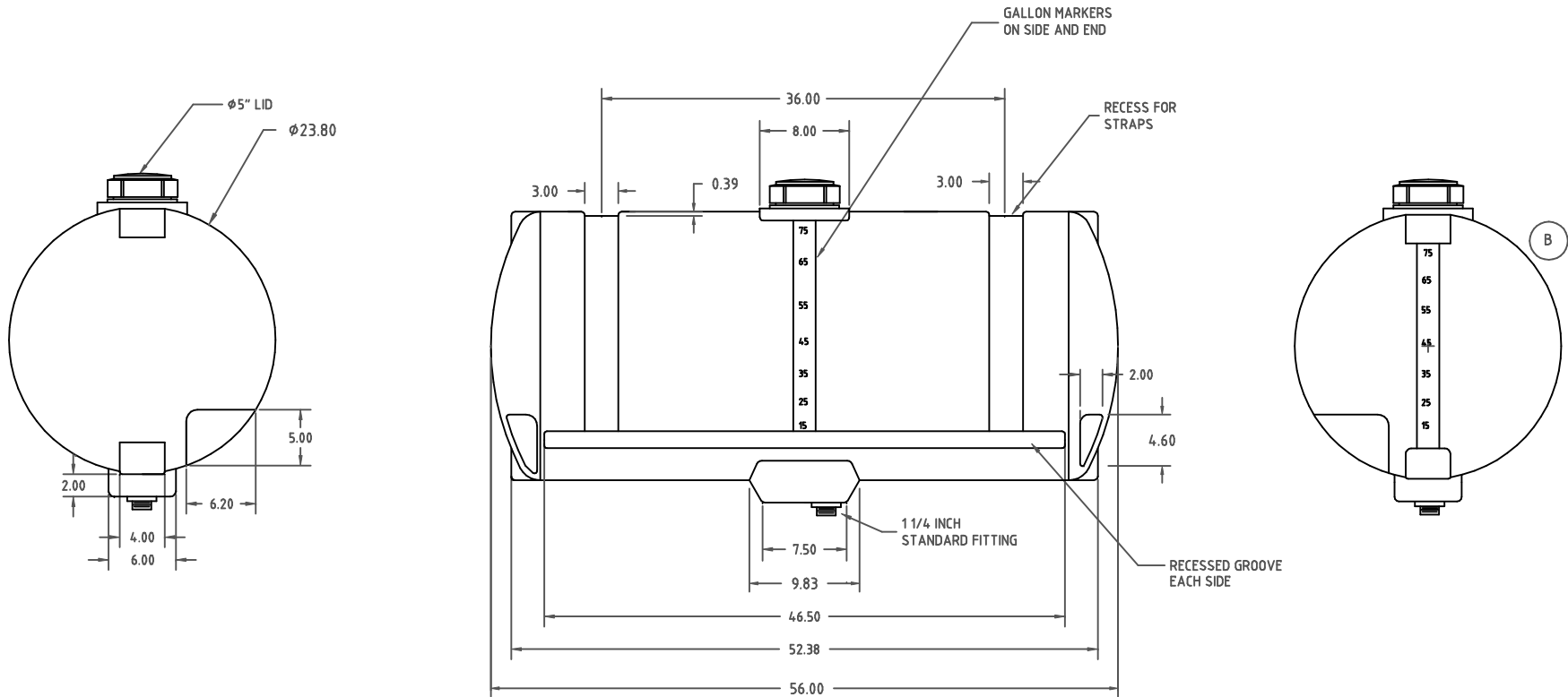

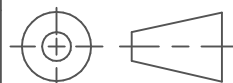


Copyright. All information furnished within this document, electronic file or design correspondence is the property of Den Hartog industries, Inc. and shall not be used, disclosed to others or copied without the expressed written consent of Den Hartog Industries, Inc.



B	GALLON MARKER LOCATION	REH 3/8/11	2184	DRAWN / DATE NVE 6/9/05	MATERIAL 10420	 <p>Den Hartog INDUSTRIES, INC.</p> <p>Ace Roto-Mold Injection Molding Blow Molding Sowjoy 4010 HOSPERS DRIVE S. BOX 425, HOSPERS, IOWA 51238-0425</p>
A	FITTING UPDATED	9/6/06		APPRD. / DATE DHJ 6/21/05		
REV	DESCRIPTION	BY / DATE	CCN			
ALL DIMENSIONS ARE IN DECIMAL INCHES TOLERANCES UNLESS OTHERWISE SPECIFIED POLYETHYLENE		THIRD ANGLE PROJECTION ANSI 14.5M		SHOT WEIGHT: 35 LB. SHIPPING WEIGHT: 37 LB. FINISH:	NOTES: 1. NOM. WALL @ .200	DESCRIPTION 95 GALLON HORIZONTAL TANK
±1% @ 68° F METAL DECIMAL ± .125" FRACTION ± 1/4" ANGLE ± 1°						SCALE N.S. PART NO. HZ0095-24