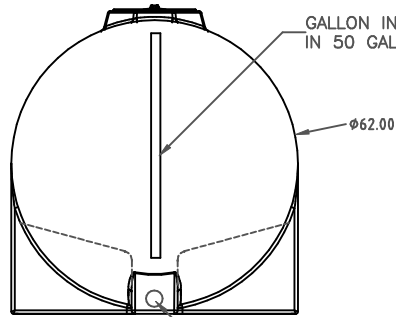


PROPRIETARY DATA

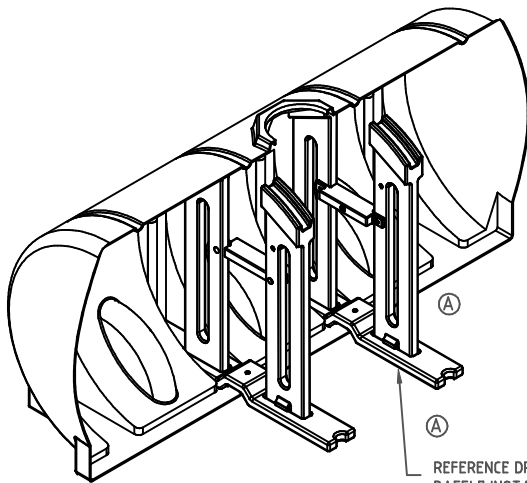
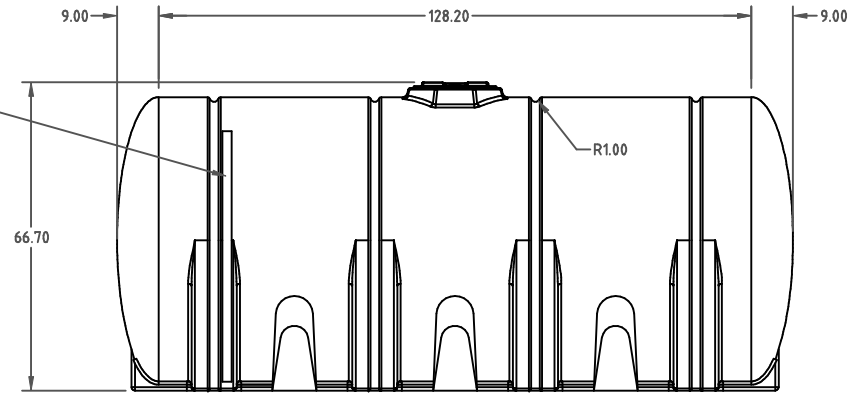
PROPERTY OF ACE ROTO-MOLD MFG., INC. INFORMATION FURNISHED HEREIN IS THE PROPERTY OF ACE ROTO-MOLD MFG., INC. AND SHALL NOT BE USED, DISCLOSED TO OTHERS, OR COPIED WITHOUT THE EXPRESSED WRITTEN CONSENT OF ACE ROTO-MOLD MFG., INC. ALL RIGHTS RESERVED.

FS1750-62

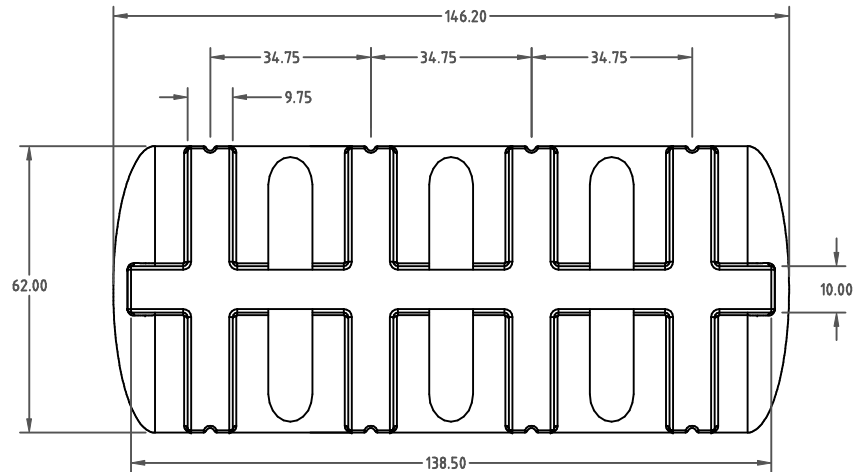
A



FITTING SUMP EACH END
2 INCH FITTING IS STANDARD



REFERENCE DRAWING FS1750-BAF FOR
BAFFLE INSTALLATION INSTRUCTIONS



NOTE: 4 HOOPS ARE REQUIRED ON THIS TANK
Ⓐ NOTE: FS1750-BAF KIT IS STANDARD

| | | | | | | | | |
|---|--------------------------|---------|-------|------|--|---|---|-----------------------|
| | | | | | DRAWN / DATE DHJ/9/10/07 | MATERIAL: 540 LB. HDPE | ACE ROTO-MOLD A DIVISION OF DEN HARTOG INDUSTRIES, INC. 4010 HWY. 60 BLVD., BOX 425 HOSPERS, IOWA 51238 | |
| A | BAFFLE KIT MADE STANDARD | 5/15/08 | ADH | 1650 | APPRD. / DATE REH/10/1/07 | | CLIENT / DESCRIPTION 1750 GAL. LEG TANK | |
| REV | DESCRIPTION | DATE | APPRD | CCN | | | SCALE N.S. | PART NO. FS1750-62 |
| ALL DIMENSIONS ARE IN DECIMAL INCHES TOLERANCES UNLESS OTHERWISE SPECIFIED ± 1% @ 68° F | | | | | THIRD ANGLE PROJECTION ANSI 14.5M | NOTES: 1. AVAILABLE IN NATURAL OR YELLOW COLOR. 2. NOM. WALL = .400 | | |