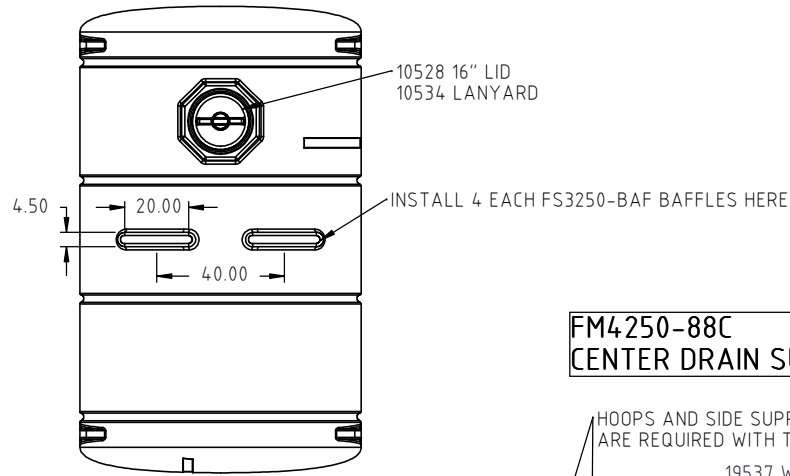
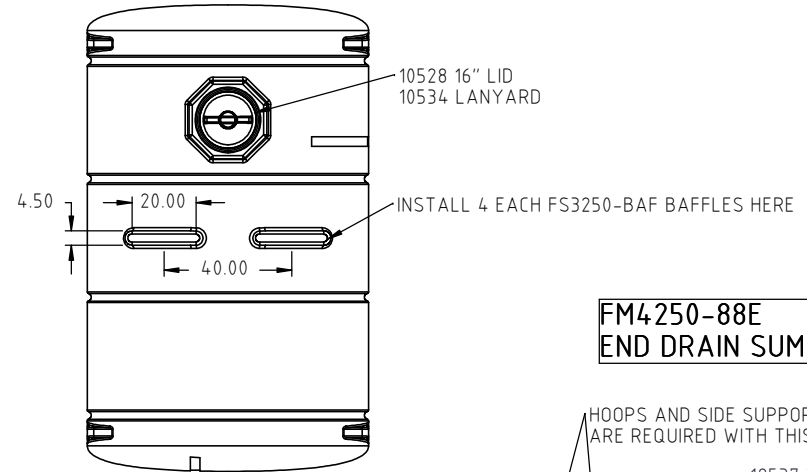


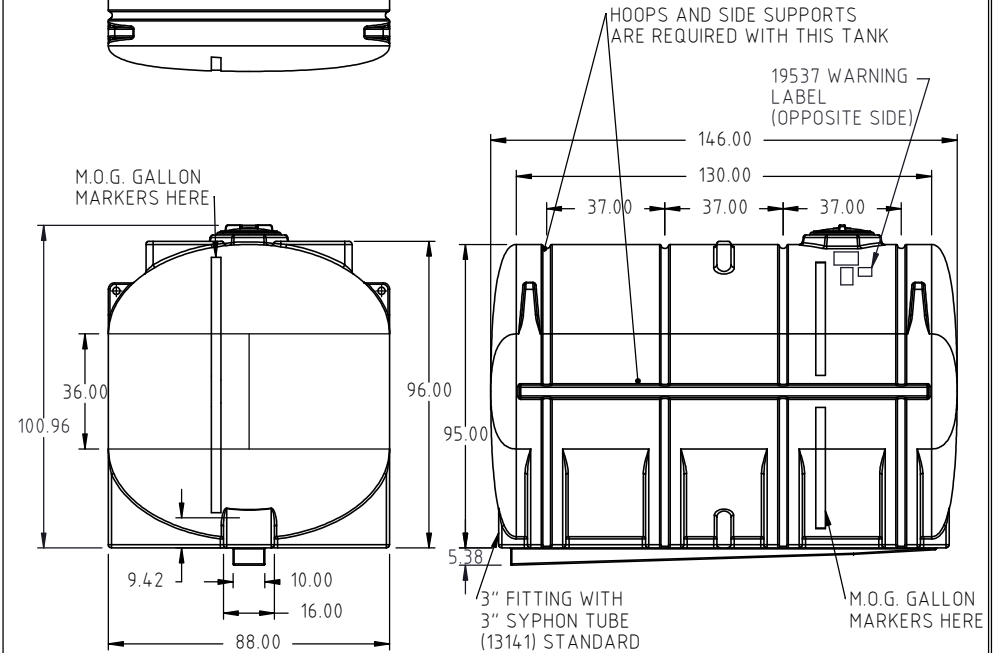
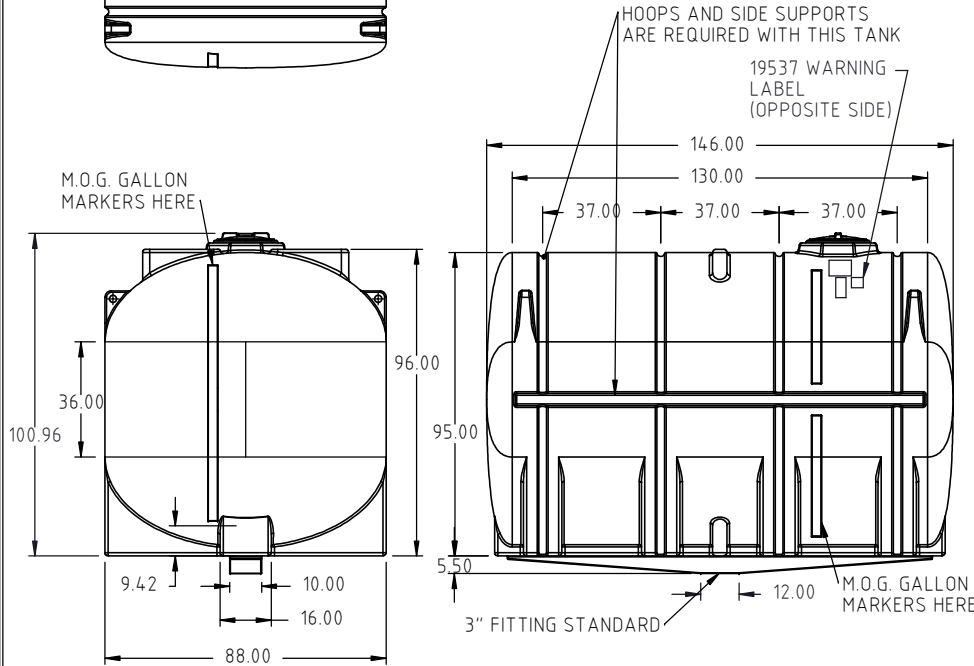
Copyright. All information furnished within this document, electronic file or design correspondence is the property of Den Hartog industries, Inc. and shall not be used, disclosed to others or copied without the expressed written consent of Den Hartog Industries, Inc.



**FM4250-88C  
CENTER DRAIN SUMP**



**FM4250-88E  
END DRAIN SUMP**



REV	DESCRIPTION	BY / DATE	CCN	DRAWN / DATE ADH 10/25/11	MATERIAL 10538 NATURAL
				APPRD. / DATE REH 7/18/12	
ALL DIMENSIONS ARE IN DECIMAL INCHES TOLERANCES UNLESS OTHERWISE SPECIFIED		THIRD ANGLE PROJECTION ANSI 14.5M		SHOT WEIGHT: 1465 LBS.	NOTES: 1.) 0.600 NOMINAL WALL 2.) BLUE, BLACK, WHITE OR YELLOW COLOR
POLYETHYLENE METAL DECIMAL ± .125" FRACTION ± 1/4" ANGLE ± 1°		±1% @ 68°F		SHIPPING WEIGHT: 1617 LBS.	
		FINISH:			



**Den Hartog  
INDUSTRIES, INC.**

Acro Roto-Mold Injection Molding Blow Molding Sowjoy

4010 HOSPERS DRIVE S. BOX 425, HOSPERS, IOWA 51238-0425

DESCRIPTION <b>4250 GALLON ELLIPTICAL LEG TANK WITH SUMP</b>	
SCALE N.S.	PART NO. FM4250-88