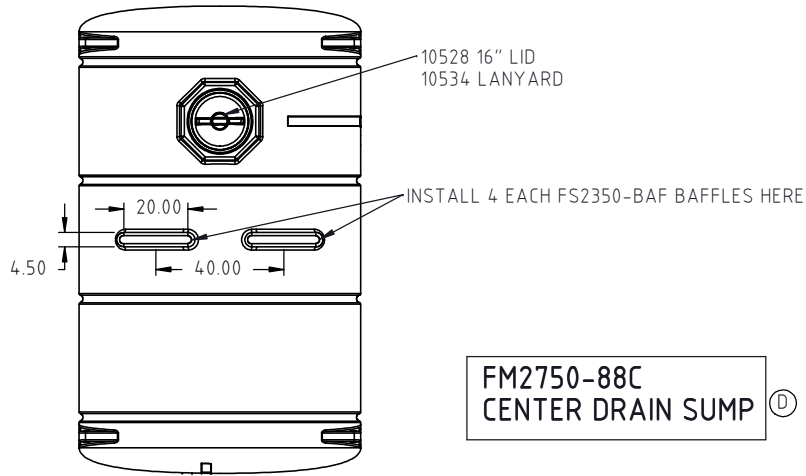
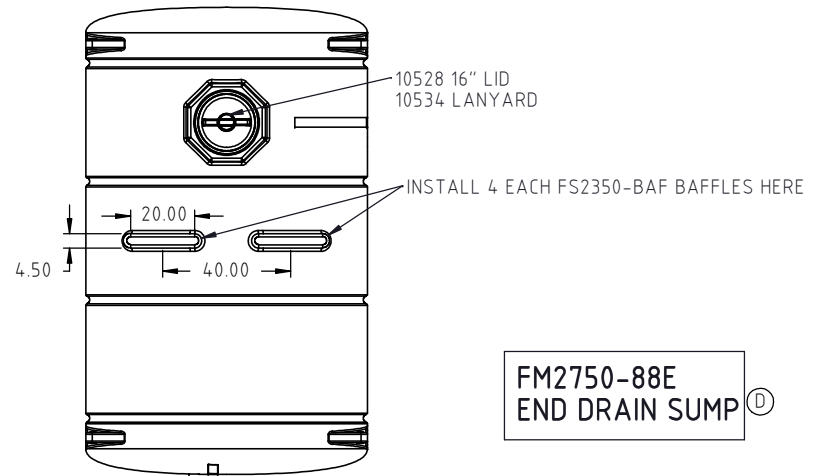


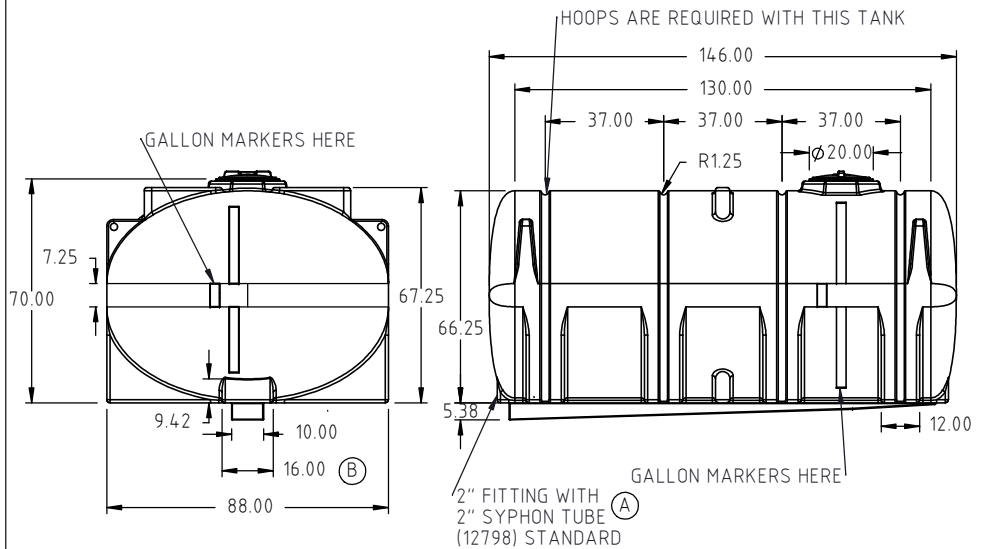
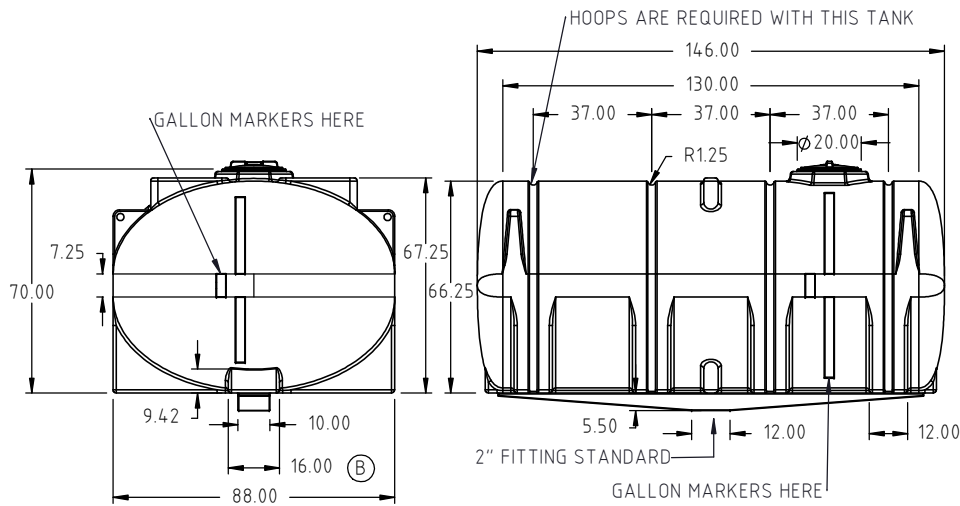
Copyright. All information furnished within this document, electronic file or design correspondence is the property of Den Hartog Industries, Inc. and shall not be used, disclosed to others or copied without the expressed written consent of Den Hartog Industries, Inc.



**FM2750-88C  
CENTER DRAIN SUMP** ⓓ



**FM2750-88E  
END DRAIN SUMP** ⓓ



D	NOTE PART NUMBERS CORRECTED. HAD SHOWN FM2350-88C AND FM2350-88E 1/27/12 WAS INCORRECTLY SHOWN AS 12/27/12.	ADH 6/5/13	2630
C		ADH 11/8/12	2468
B	16.00" WAS 12.00" ⓐ	ADH 1/27/12	2358
A	SYPHON TUBE NOTE UPDATED	ADH 5/9/11	2212
REV	DESCRIPTION	BY / DATE	CCN

DRAWN / DATE	MATERIAL
ADH 4/19/10	
APPRD. / DATE	
REH 4/19/10	10538 NATURAL



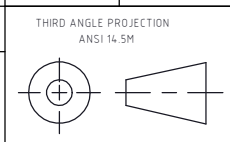
**Den Hartog**  
INDUSTRIES, INC.

Ace Roto-Mold Injection Molding Blow Molding Sowjoy

4010 HOSPERS DRIVE S. BOX 425, HOSPERS, IOWA 51238-0425

ALL DIMENSIONS ARE IN DECIMAL INCHES TOLERANCES UNLESS OTHERWISE SPECIFIED

POLYETHYLENE	METAL DECIMAL ± .125" FRACTION ± 1/4" ANGLE ± 1°
±1% @ 68°F	



SHOT WEIGHT:	1060 LBS.
SHIPPING WEIGHT:	1150 LBS.
FINISH:	

NOTES:  
1.) 0.500 NOMINAL WALL  
2.) BLUE, BLACK, WHITE OR YELLOW COLOR

DESCRIPTION	2750 GALLON ELLIPTICAL LEG TANK WITH SUMP	
SCALE	N.S.	PART NO.
		FM2750-88