

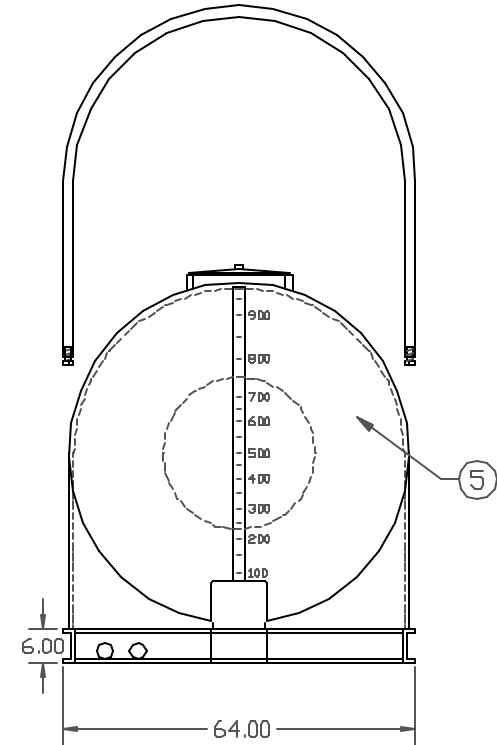
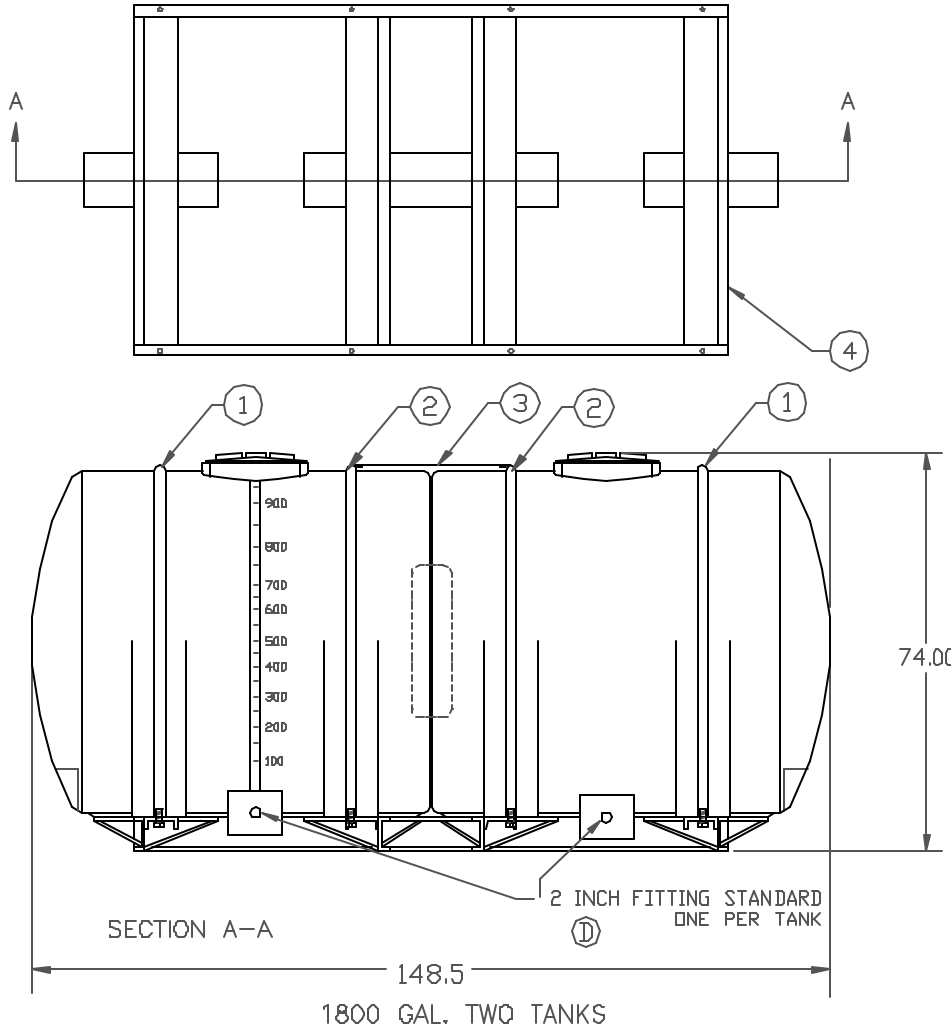
PROPRIETARY DATA

PROPERTY OF ACE ROTO-MOLD MFG., INC. INFORMATION FURNISHED HEREIN IS THE PROPERTY OF ACE ROTO-MOLD MFG., INC. AND SHALL NOT BE USED, DISCLOSED TO OTHERS, OR COPIED WITHOUT THE EXPRESSED WRITTEN CONSENT OF ACE ROTO-MOLD MFG., INC. ALL RIGHTS RESERVED.

#	DESCRIPTION	PART NO.
1	2 HOOPS	FS062-HP-925
2	2 HOOPS	FS062-HP-1800C
3	CONNECT PLATE	FS-1800-CP
4	SKID	FM1800-SKS
5	2 TANKS W/SUMP	FMA0900-FS / FMB0900-FS

FM1800-2S

D



ⓑ CAUTION: TWO COMPARTMENT TANKS MUST BE PLUMBED TO DRAIN EQUALLY. DO NOT USE TANKS AS INDIVIDUAL STORAGE COMPARTMENTS.

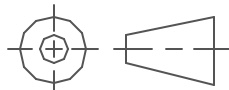
D	FITTING LOCATION ECN1293	3/31/17 DHJ
C	REMOVE TOLERANCE	3/15/07 GWC
B	ADD CAUTION NOTE	11/8/06
A	UPDATE PART #	3/28/06
REV	DESCRIPTION	DATE APPRD

DRAWN / DATE	EVAN 9/31/94
APPRD. / DATE	REH 4/11/17

MATERIAL
HDPE OR EQUIVALENT
REFERENCE MATERIAL DATA SHEET
FOR SPECIFIC PROPERTIES.

ALL DIMENSIONS ARE IN DECIMAL INCHES
TOLERANCES UNLESS OTHERWISE SPECIFIED

THIRD ANGLE PROJECTION
ANSI 14.5M



NOTES:



ACE ROTO-MOLD

A DIVISION OF DEN HARTOG INDUSTRIES, INC.
4018 HWY. 61 BLVD., BOX 421, HOSPERS, IOWA 51238

CLIENT / DESCRIPTION
1800 GALLON FREE STANDING TANK WITH SUMP
SHOWN WITH OPTIONAL SKID

SCALE
N.S.

PART NO.
FM1800-2S