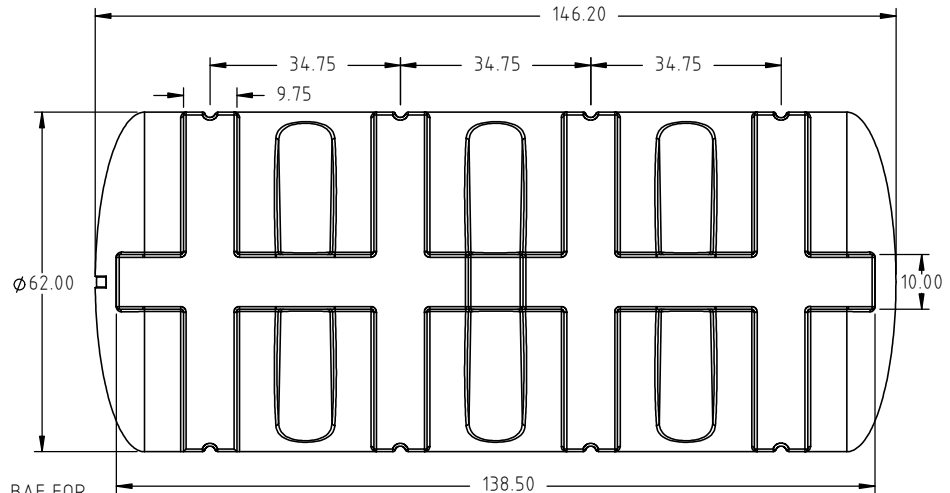
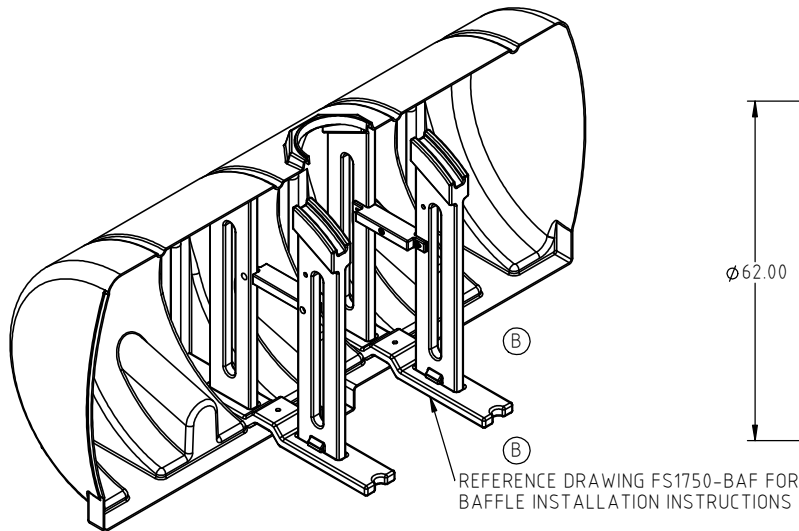
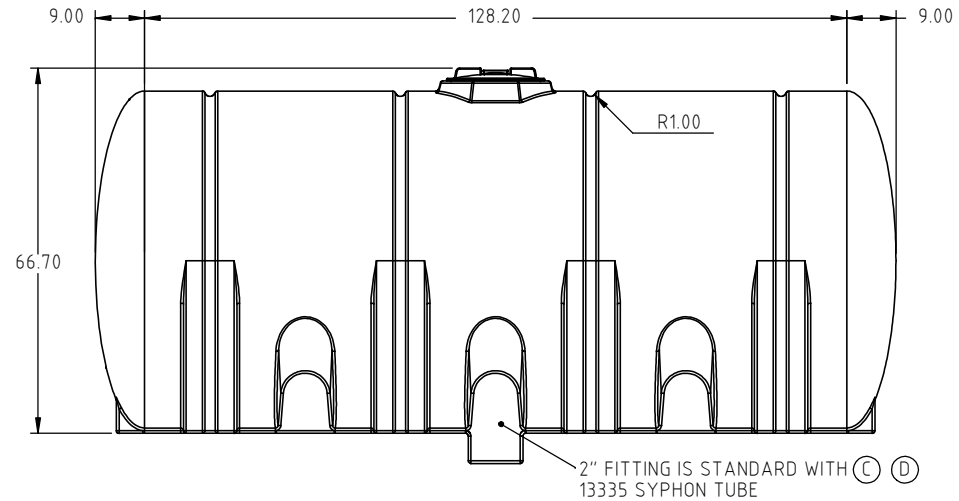
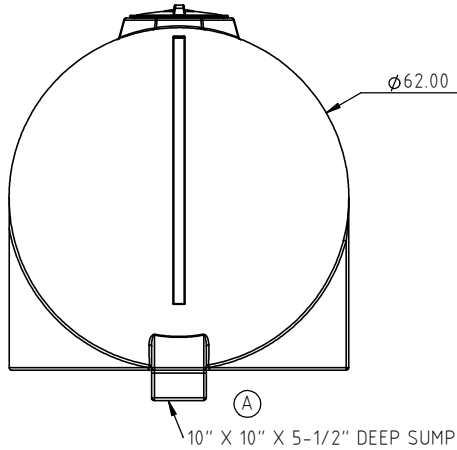


Copyright. All information furnished within this document, electronic file or design correspondence is the property of Den Hartog industries, Inc. and shall not be used, disclosed to others or copied without the expressed written consent of Den Hartog Industries, Inc.




| | | | |
|-----|----------------------------|--------------|------|
| D | SYPHON TUBE NOTE CLARIFIED | ADH 10/23/12 | 2511 |
| C | SYPHON TUBE NOTE UPDATED | ADH 5/5/11 | 2212 |
| B | BAFFLE KIT MADE STANDARD | ADH 5/15/08 | 1650 |
| A | INCREASE SUMP SIZE | DHJ 9/28/07 | |
| REV | DESCRIPTION | BY / DATE | CCN |

| | |
|---------------|----------|
| DRAWN / DATE | MATERIAL |
| REH 09/12/06 | HDPE |
| APPRD. / DATE | |
| DHJ 9/10/07 | |

| | |
|------------------|------------|
| SHOT WEIGHT: | 540.00 LBS |
| SHIPPING WEIGHT: | |
| FINISH: | |

(B) NOTE: 4 HOOPS ARE REQUIRED ON THIS TANK
NOTE: FS1750-BAF KIT IS STANDARD



Den Hartog
INDUSTRIES, INC.

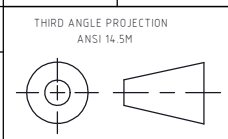
Acro Roto-Mold Injection Molding Blow Molding Sowjoy

4010 HOSPERS DRIVE S. BOX 425, HOSPERS, IOWA 51238-0425

| | | |
|-------------|------|--------------------|
| DESCRIPTION | | 1750 GAL. LEG TANK |
| SCALE | N.S. | PART NO. FM1750-62 |

ALL DIMENSIONS ARE IN DECIMAL INCHES
TOLERANCES UNLESS OTHERWISE SPECIFIED

| | |
|--------------|---|
| POLYETHYLENE | METAL DECIMAL ± .125" FRACTION ± 1/4" ANGLE ± 1° |
| ±1% @ 68° F | |



NOTES:
1.) AVAILABLE IN NATURAL OR YELLOW COLOR
2.) NOM. WALL = 0.400