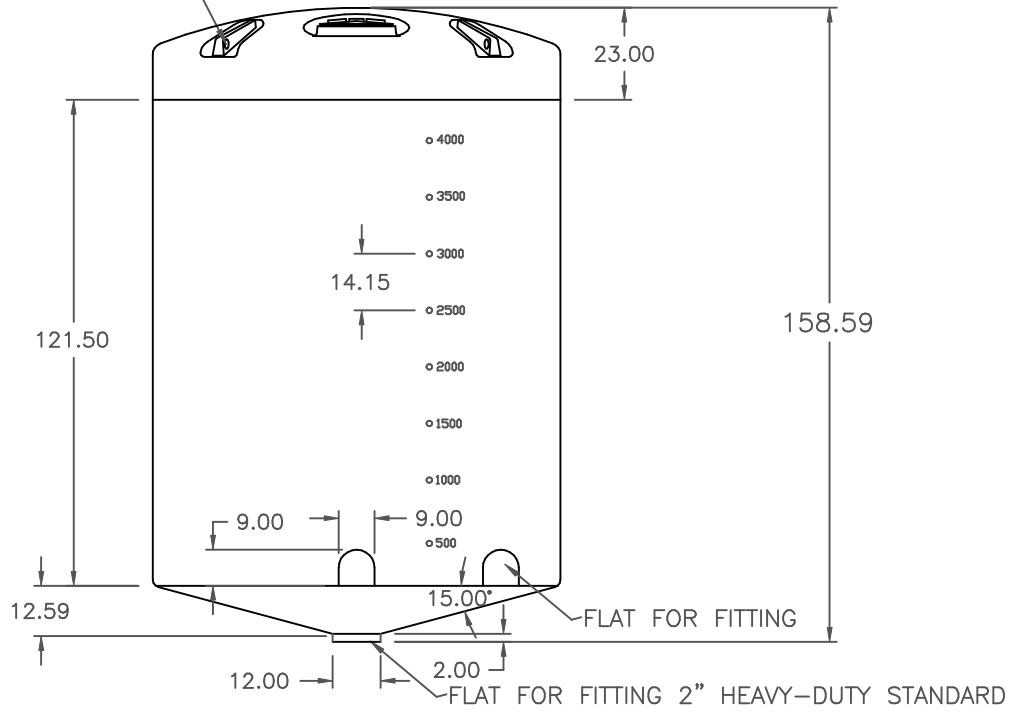
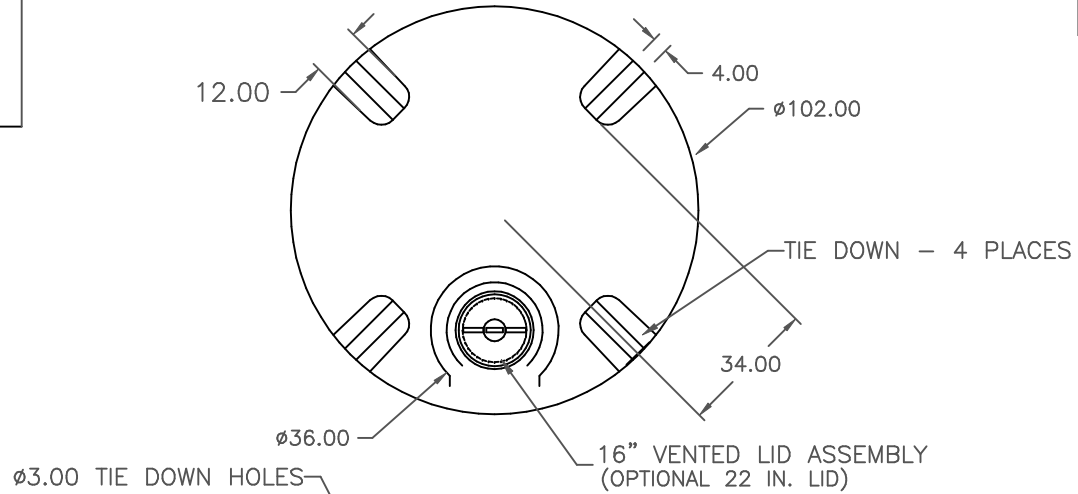

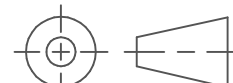


PROPRIETARY DATA

PROPERTY OF ACE ROTO-MOLD MFG., INC. INFORMATION FURNISHED HEREIN IS THE PROPERTY OF ACE ROTO-MOLD MFG., INC. AND SHALL NOT BE USED, DISCLOSED TO OTHERS, OR COPIED WITHOUT THE EXPRESSED WRITTEN CONSENT OF ACE ROTO-MOLD MFG., INC. ALL RIGHTS RESERVED.

CB4900-102 A



		DRAWN / DATE DHJ 4/14/04		MATERIAL		 <b>ACE ROTO-MOLD</b> A DIVISION OF DEN HARTOG INDUSTRIES, INC. 4010 HWY. 60 BLVD., BOX 425, HOSPERS, IOWA 51238	
A	FINALIZE DRAWING	12\2\04	APPRD. / DATE REH 4/18/07	HDPE OR EQUIVALENT REFERENCE MATERIAL DATA SHEET FOR SPECIFIC PROPERTIES.			
REV	DESCRIPTION	DATE	APPRD	NOTES:		CLIENT / DESCRIPTION 4900 GALLON $\phi 102$ " 15° CONE BOTTOM TANK	
ALL DIMENSIONS ARE IN DECIMAL INCHES TOLERANCES UNLESS OTHERWISE SPECIFIED $\pm 1\% @ 68^\circ F$				THIRD ANGLE PROJECTION ANSI 14.5M 		SCALE N.S.	
				1. YELLOW OR WHITE COLOR 2. SHOT WEIGHT 1300 LBS.		PART NO. CB4900-102	