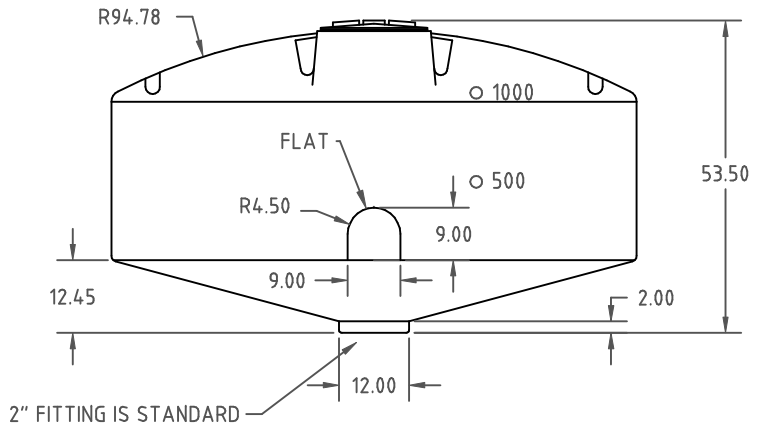
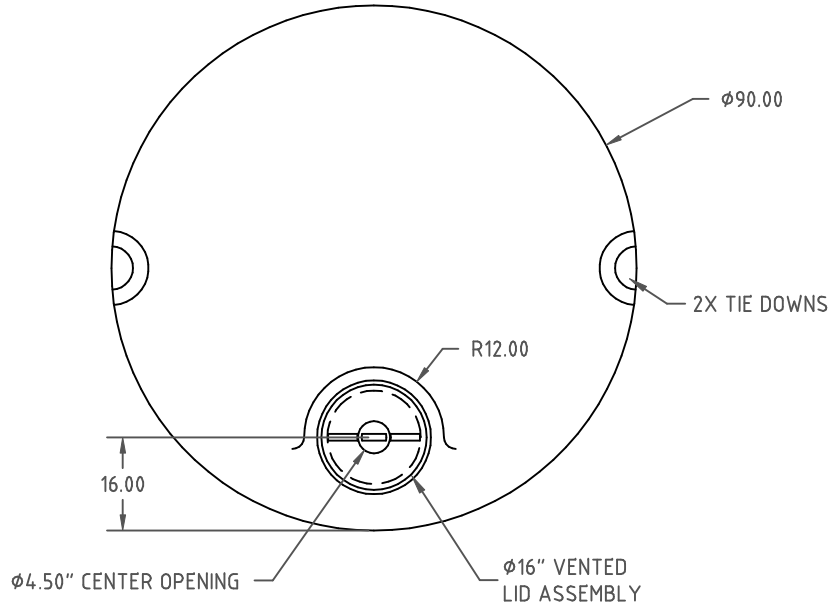


Copyright. All information furnished within this document, electronic file or design correspondence is the property of Den Hartog industries, Inc. and shall not be used, disclosed to others or copied without the expressed written consent of Den Hartog Industries, Inc.



2" FITTING IS STANDARD

				DRAWN / DATE DHJ 10/31/08	MATERIAL 10420 3 MELT
				APPRD. / DATE REH 4/24/09	
REV	DESCRIPTION	BY / DATE	CCN		
ALL DIMENSIONS ARE IN DECIMAL INCHES TOLERANCES UNLESS OTHERWISE SPECIFIED				SHOT WEIGHT: 210 LBS.	NOTES: 1. .28 WALL
POLYETHYLENE				SHIPPING WEIGHT: 212 LBS.	
METAL DECIMAL $\pm .125$ " FRACTION $\pm 1/4$ " ANGLE $\pm 1^\circ$				FINISH:	
$\pm 1\%$ @ $68^\circ F$		THIRD ANGLE PROJECTION ANSI 14.5M			



Den Hartog  
INDUSTRIES, INC.  
Ace Roto-Mold Injection Molding Blow Molding SowJoy  
4010 HOSPERS DRIVE S. BOX 425, HOSPERS, IOWA 51238-0421

DESCRIPTION 1000 GALLON 15° CONE BOTTOM TANK	
SCALE N.S.	PART NO. CB1000-90