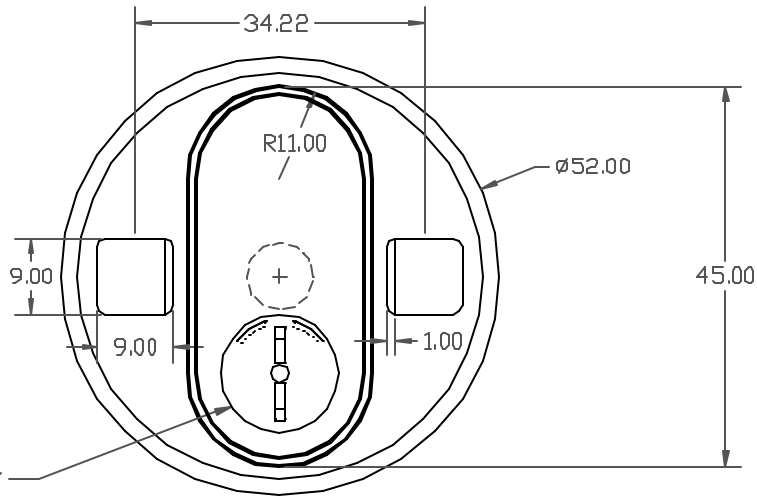


PROPRIETARY DATA

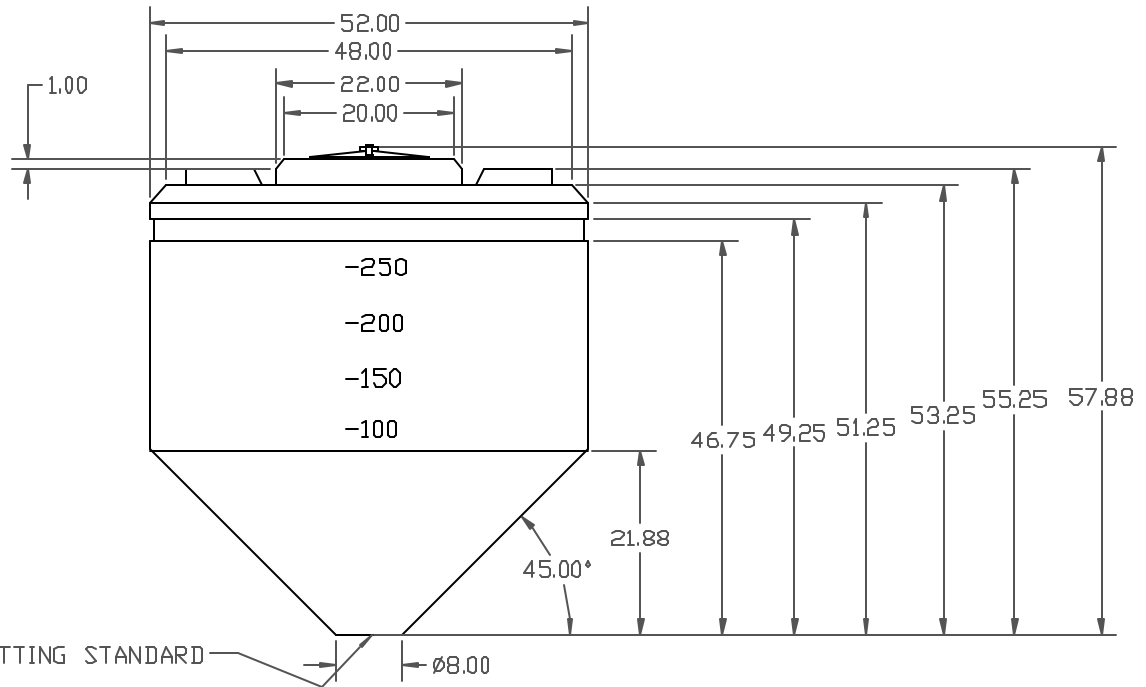
PROPERTY OF DEN HARTOG INDUSTRIES, INC. INFORMATION FURNISHED HEREIN IS THE PROPERTY OF DEN HARTOG INDUSTRIES, INC. AND SHALL NOT BE USED, DISCLOSED TO OTHERS, OR COPIED WITHOUT THE EXPRESSED WRITTEN CONSENT OF DEN HARTOG INDUSTRIES, INC. ALL RIGHTS RESERVED.

CB0345-52

E



12" VENTED LID ASSEMBLY



2" FITTING STANDARD

E	16 INCH LID WAS SHOWN CCN1299	4/11/07	DHJ
D	REMOVED STAND, UPDATED PRINT	5/18/08	NVE
C	CHANGE PART NO. TO CB0345-52	10/5/04	
B	ADD FITTING INFORMATION	10/05/04	
A	FINALIZE PART	9/15/04	
REV	DESCRIPTION	DATE	APPRD

DRAWN / DATE	MATERIAL
DHJ / 8/17/04	HDPE OR EQUIVALENT
APPRD. / DATE	REFERENCE MATERIAL DATA SHEET
REH 4/18/07	FOR SPECIFIC PROPERTIES.

THIRD ANGLE PROJECTION ANSI 14.5M	NOTES:
	1. NOM. WALL ϕ .250
	2. SHOT WEIGHT 100 LBS.



ACE ROTO-MOLD

A DIVISION OF DEN HARTOG INDUSTRIES, INC.
4010 HWY. 60 BLVD, BOX 425, HOSPER, IOWA 51238

CLIENT / DESCRIPTION
345 GALLON TANK WITH 45° CONE BOTTOM

SCALE
N.S.

PART NO.
CB0345-52

ALL DIMENSIONS ARE IN DECIMAL INCHES
TOLERANCES UNLESS OTHERWISE SPECIFIED
± 1% @ 68° F