

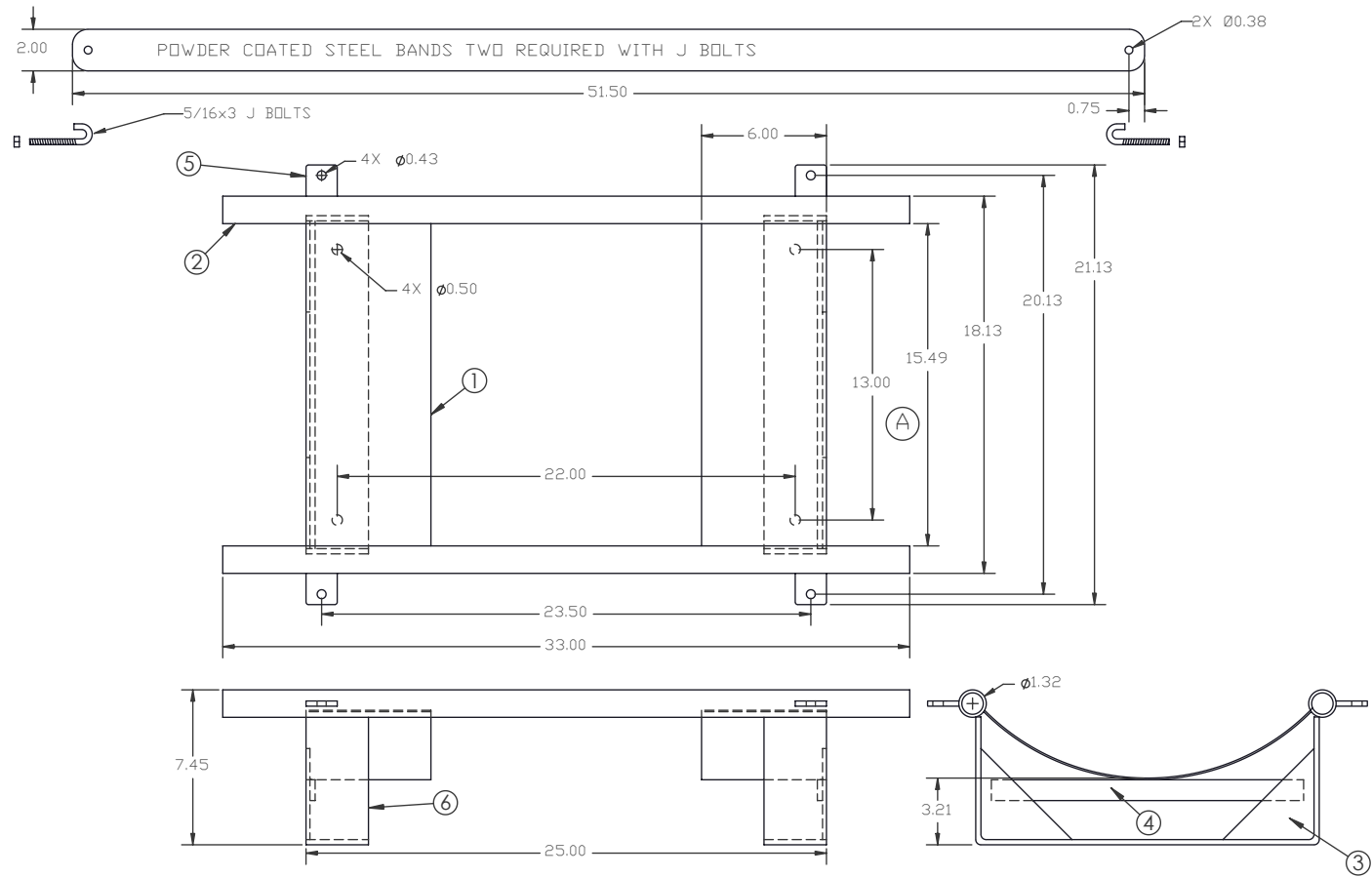
PROPRIETARY DATA

PROPERTY OF DEN HARTOG MFG., INC. INFORMATION FURNISHED HEREIN IS THE PROPERTY OF ACE ROTO-MOLD MFG., INC. AND SHALL NOT BE USED, DISCLOSED TO OTHERS, OR COPIED WITHOUT THE EXPRESSED WRITTEN CONSENT OF ACE ROTO-MOLD MFG., INC. ALL RIGHTS RESERVED.

| KEY | PART NUMBER | MATERIAL | DESCRIPTION | QTY. |
|-----|-------------|--------------|---------------------|-------------------------------|
| 1 | HZ0075-C-1 | S-14GA | SHEET,14GA | 2 @ 6" X 17.5"(210 SI) |
| 2 | HZ0075-C-2 | P10000 | PIPE,1" SIZE TUBING | 2 @ 33"(66 IN) |
| 3 | HZ0095-C-2 | S-1875 | SHEET,3/16",(<7 GA) | (4 @ 4.5" X 4.5")/2(40.50 SI) |
| 4 | HZ0075-C-4 | B02500X12500 | FLAT, 1/4" X 1 1/4" | 2 @ 14"(28 IN) |
| 5 | SJHZ0095C-4 | B02500X12500 | FLAT,1/4" X 1 1/4" | 4 @ 1.5"(6 IN) |
| 6 | SJHZ0095C-6 | B02500X12500 | FLAT, 1/4" X 3" | 2 @ 28"(56 IN) |

HZ0075-C

B



| REV | DESCRIPTION | BY / DATE | CCN |
|-----|--------------------------|-------------|-----|
| B | TOLERANCE WAS 1% @ 68° F | GWC 3/14/07 | |
| A | CHANGE HOLE SPACING | 5/5/06 | |

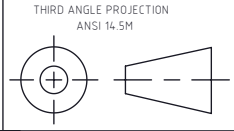
| DRAWN / DATE | MATERIAL |
|---------------|----------|
| ADH 8/1/07 | |
| APPRD. / DATE | |
| REH 11/26/07 | |



Den Hartog
INDUSTRIES, INC.

Ace Roto-Mold Injection Molding Blow Molding Sowjoy
4010 HOSPERS DRIVE S. BOX 425, HOSPERS, IOWA 51238-0421

ALL DIMENSIONS ARE IN DECIMAL INCHES
TOLERANCES UNLESS OTHERWISE SPECIFIED
DECIMAL ± .125"
FRACTION ± 1/4"
ANGLE ± 1°



NOTES:

| | | |
|-------------|---------------------------------|-------------------|
| DESCRIPTION | CRADLE FOR 75 GALLON HORIZONTAL | |
| SCALE | N.S. | PART NO. HZ0075-C |