

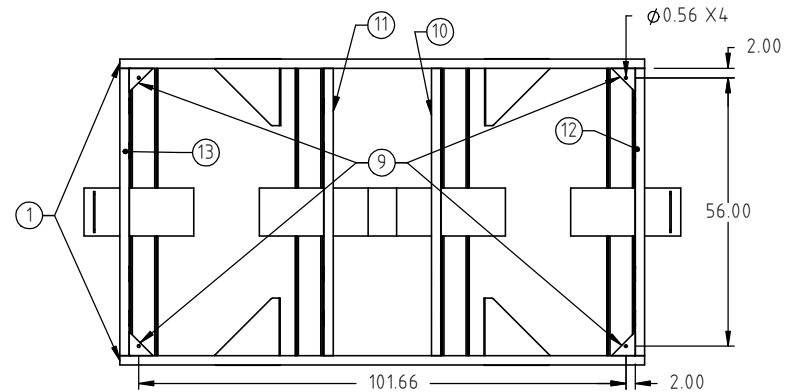
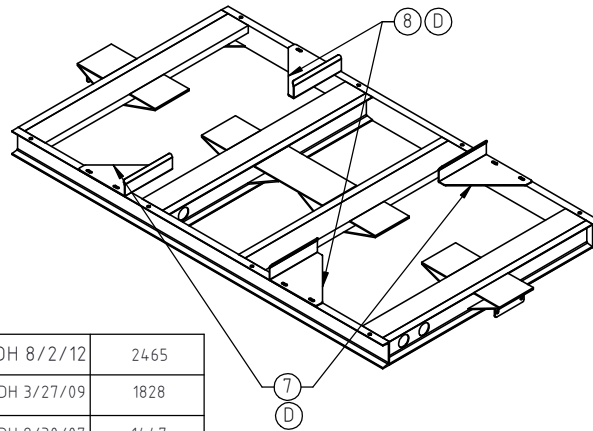
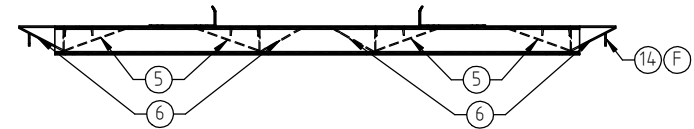
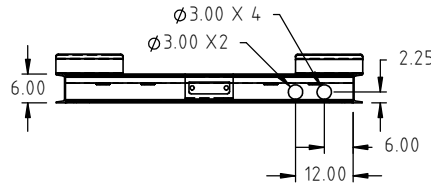
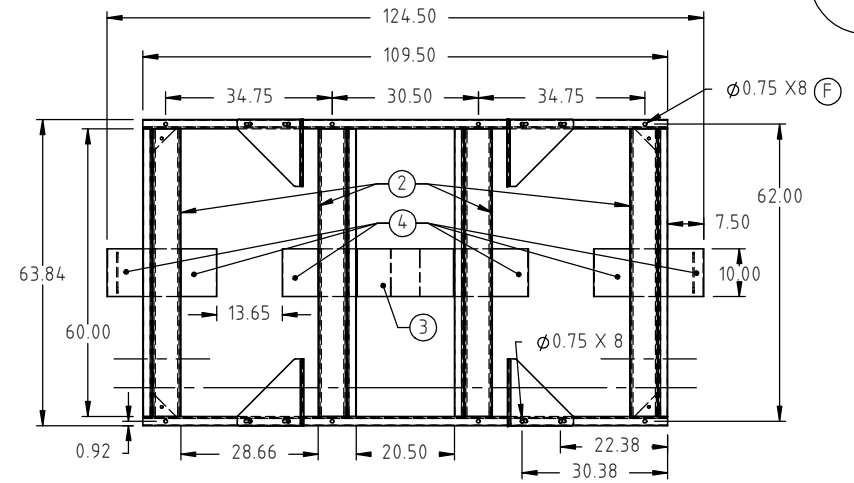
© DEN HARTOG INDUSTRIES, INC.

FM1800-SKS

F

Copyright. All information furnished within this document, electronic file or design correspondence is the property of Den Hartog industries, Inc. and shall not be used, disclosed to others or copied without the expressed written consent of Den Hartog Industries, Inc.

KEY	PART NUMBER	DESCRIPTION	QTY.
1	FM1800-SKS-1	6 INCH SUPPORT CHANNEL	2
2	FM1800-SKS-2	6" CHANNEL TANK SUPPORT	4
3	FM1800-SKS-3	CENTER SUPPORT PLATE	1
4	FM1800-SKS-4	TANK BASE SUPPORT PLATE	6
5	FM1800-SKS-5	SUPPORT PLATE	4
6	FM1800-SKS-6	SUPPORT PLATE	4
7	FS10026	RH RETAINER	2
8	FS10027	LH RETAINER	2
9	12411	5" X 5" GUSSET	4
10	FM1800-SKS-10	INNER SUPPORT CHANNEL	1
11	FM1800-SKS-11	INNER SUPPORT CHANNEL	1
12	FM1800-SKS-12	END SUPPORT CHANNEL	1
13	FM1800-SKS-13	END SUPPORT CHANNEL	1
14	13201	PLATE, POWDER COATING	2



F	TABLE/DRAWING TEMPLATE UPDATED. WEIGHT/FINISH/13201 ADDED TO PRINT. Ø0.75 WAS Ø0.69	ADH 8/2/12	2465
E	COMPONENT INFORMATION ADDED TO TABLE. DRAWING TEMPLATE UPDATED.	ADH 3/27/09	1828
D	CORRECTED KEYS 7 & 8	ADH 8/30/07	1447
C	ADDED BILL OF MATERIALS	NVE 8/3/06	
B	NEW PART NO.	10/27/04	
A	NEW LENGTH	9/14/04	
REV	DESCRIPTION	BY / DATE	CCN

DRAWN / DATE	MATERIAL
REH 12/19/01	
APPRD. / DATE	
REH 12/19/01	

SHOT WEIGHT:	NOTES:
SHIPPING WEIGHT:	
580.00 LBS	
FINISH:	
POWDER COATING, BLACK TILE, 40012	



Den Hartog
INDUSTRIES, INC.

Ace Roto-Mold Injection Molding Blow Molding Sowjoy

4010 HOSPERS DRIVE S. BOX 425, HOSPERS, IOWA 51238-0425

DESCRIPTION	SCALE	PART NO.
TANK SKID FOR 1800 GALLON LEG TANK	N.S.	FM1800-SKS

ALL DIMENSIONS ARE IN DECIMAL INCHES TOLERANCES UNLESS OTHERWISE SPECIFIED	
POLYETHYLENE	METAL DECIMAL ± .125" FRACTION ± 1/4" ANGLE ± 1°
±1% @ 68°F	

