

PROPRIETARY DATA

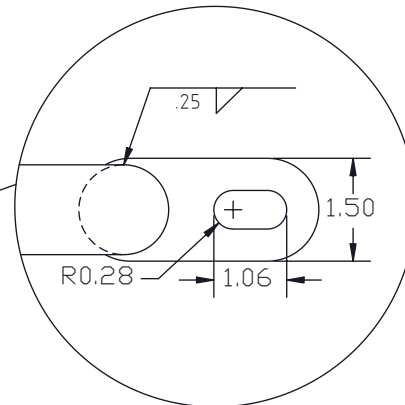
PROPERTY OF ACE ROTO-MOLD MFG., INC. INFORMATION FURNISHED HEREIN IS THE PROPERTY OF ACE ROTO-MOLD MFG., INC. AND SHALL NOT BE USED, DISCLOSED TO OTHERS, OR COPIED WITHOUT THE EXPRESSED WRITTEN CONSENT OF ACE ROTO-MOLD MFG., INC. ALL RIGHTS RESERVED.

FS0510-HPS

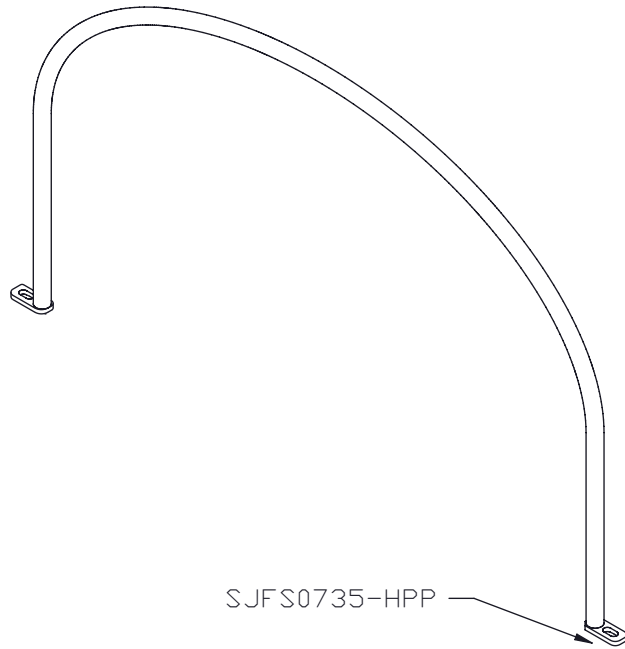
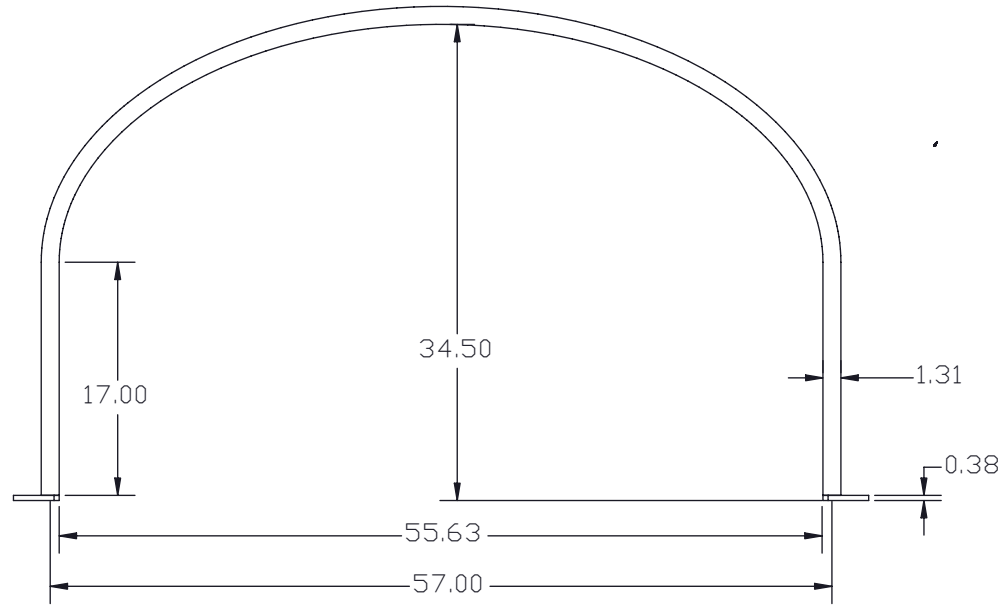
C

FS0510-HP 3 PER SET


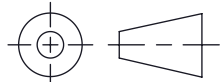
⊙



SCALE 5:1



SJFS0735-HPP

C	FOOT UPDATED	8/27/07	ADH	DRAWN / DATE	MATERIAL	 <b>ACE ROTO-MOLD</b> A DIVISION OF DEN HARTOG INDUSTRIES, INC. 4018 HWY. 60 BLVD., BOX 421, HOSPERS, IOWA 51238
B	ADD TEXT BOX	4/2/07	GWC	NVE 8/17/05	1.31 OD TUBE 12 GA. WALL MILD STEEL	
A	TOLERANCE WAS 1% @ 68° F	3/16/07	GWC	APPRD. / DATE REH 8/19/05		
REV	DESCRIPTION	DATE	APPRD			CLIENT / DESCRIPTION
ALL DIMENSIONS ARE IN DECIMAL INCHES TOLERANCES UNLESS OTHERWISE SPECIFIED DECIMAL +/- .125" FRACTION +/- 1/4" ANGLE +/- 2°				THIRD ANGLE PROJECTION ANSI 14.5M 		NOTES: 1. BLACK COLOR - POWDER COATED 2. WEIGHT 12 LBS. 3. BLANK LENGTH: 107.5"
					SCALE	N.S.
					PART NO.	FS0510-HPS