

© DEN HARTOG INDUSTRIES, INC.

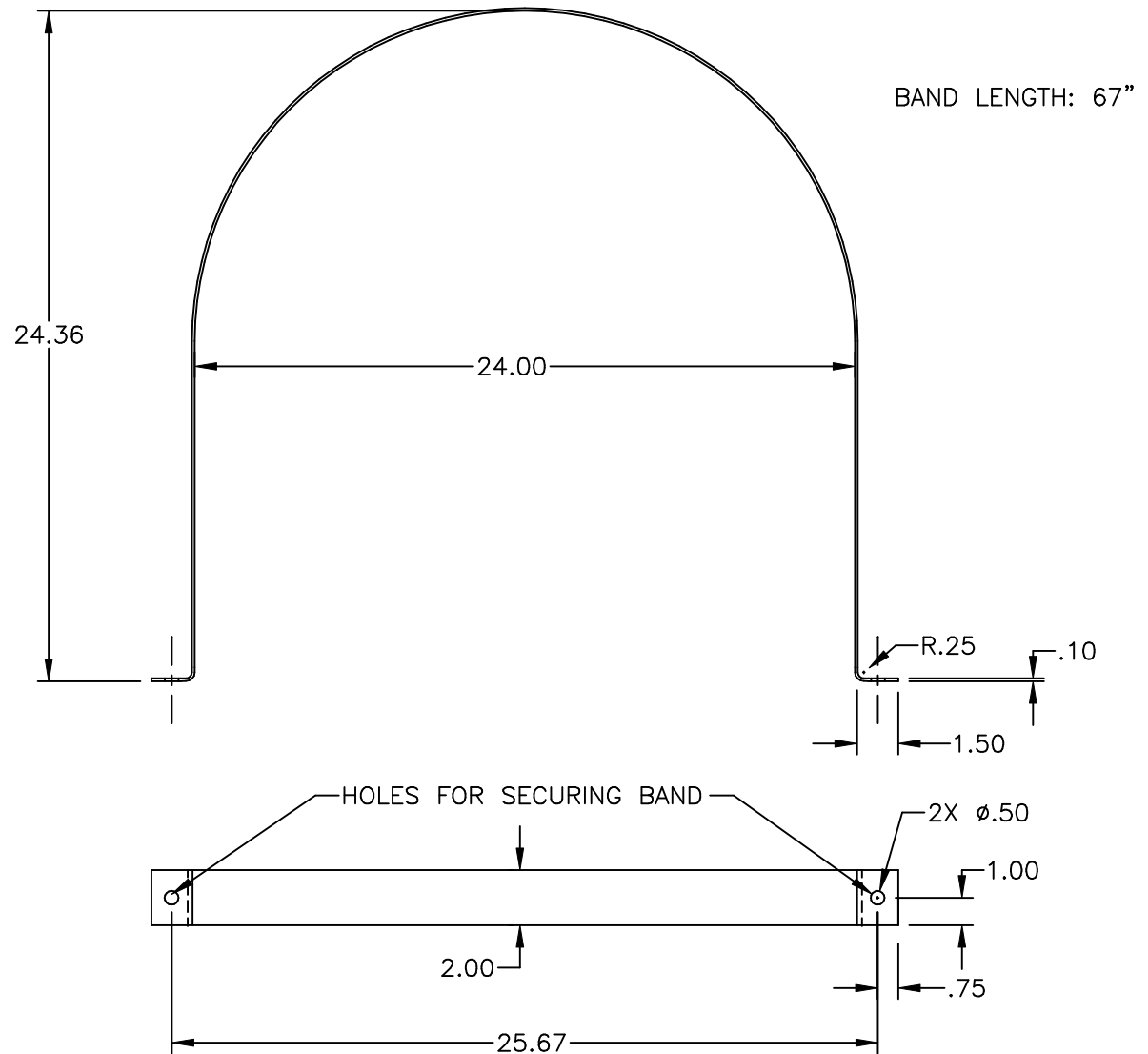
Copyright. All information furnished within this document, electronic file or design correspondence is the property of Den Hartog industries, Inc. and shall not be used, disclosed to others or copied without the expressed written consent of Den Hartog Industries, Inc.

FS0065-SBPFS

B

FS0065-SBPF 2 PER SET

Ⓐ

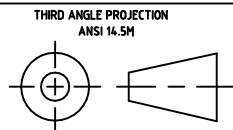


B	PLASTIC TOLERANCE MADE TO A METAL TOLERANCE CCN 1815	ADH	3/24/09	DRAWN / DATE	
A	WEIGHT UPDATED CCN 1706	ADH	8/21/08	NVE 6/29/05	MATERIAL
A	ADD TEXT BOX/ADD S TO PART # CCN 1706	ADH	8/21/08	APPRD. / DATE	10 GA (.1019) G90 STEEL
REV	DESCRIPTION	DATE	APPRD	DHJ 9/27/05	

ACE ROTO-MOLD
A DIVISION OF DEN HARTOG INDUSTRIES, INC.
4010 HOSPERS DRIVE S. BOX 425, HOSPERS, IOWA 51238-0421

CLIENT / DESCRIPTION
65 GALLON KIT SILVER
POWDER-COATED FORMED STEEL BAND W/ FEET

ALL DIMENSIONS ARE IN DECIMAL INCHES
TOLERANCES UNLESS OTHERWISE SPECIFIED
DECIMAL ± .125"
FRACTION ± 1/4"
ANGLE ± 1°



NOTES:
1. POWDER COATED
2. WEIGHT PER BAND: 6 LBS. Ⓐ

SCALE
N.S.

PART NO.
FS0065-SBPFS