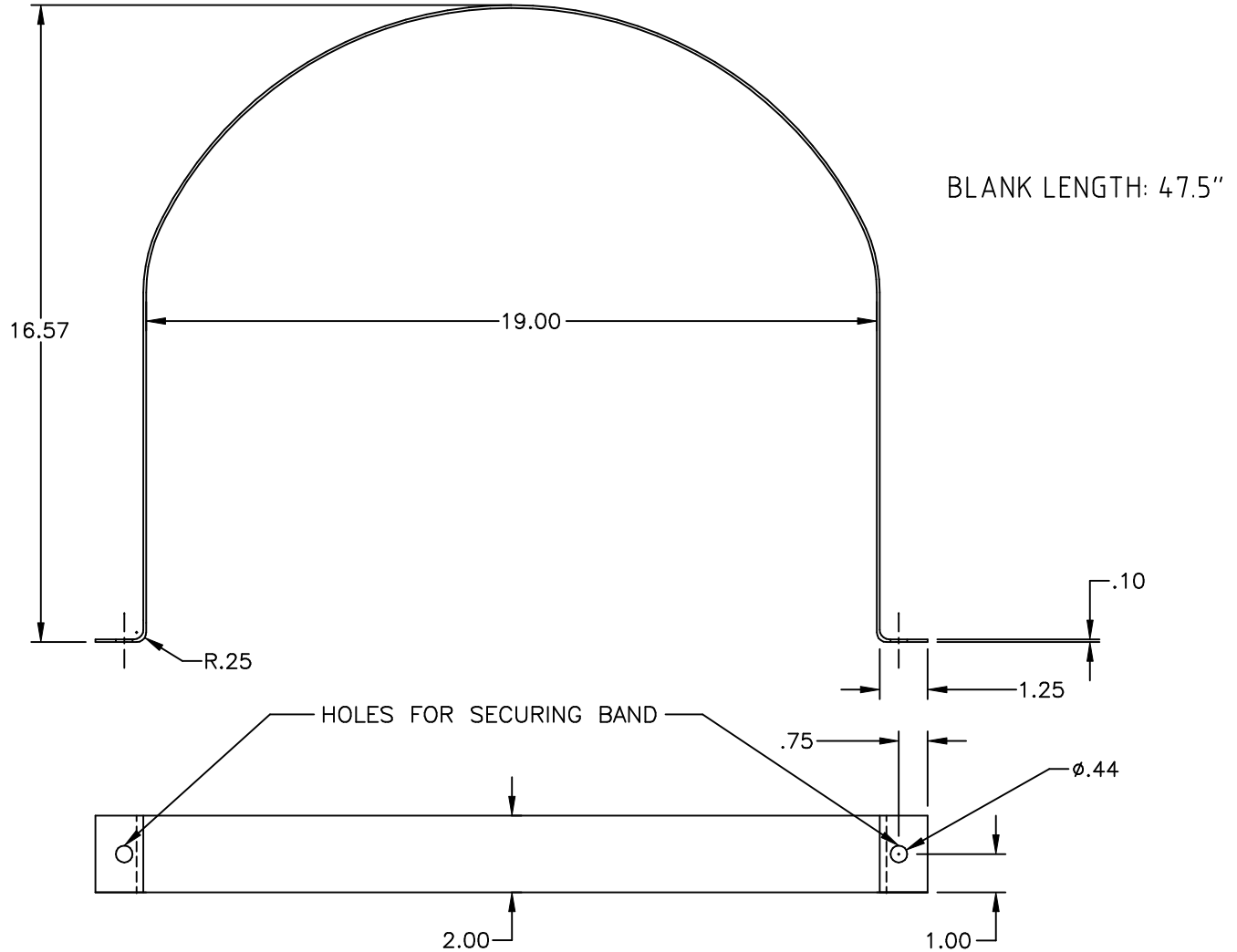



Copyright. All information furnished within this document, electronic file or design correspondence is the property of Den Hartog industries, Inc. and shall not be used, disclosed to others or copied without the expressed written consent of Den Hartog Industries, Inc.

FS0035-SBPF 2 PER SET

Ⓑ



C	WEIGHT UPDATED	CCN 1706	8/21/08	ADH	DRAWN / DATE	MATERIAL
B	ADD TEXT BOX/ADD S TO PART #		4/3/07	GWC	NVE 6/29/05	10 GA (.1019) MILD STEEL
A	TOLERANCE WAS 1% @ 68° F		3/15/07	GWC	APPRD. / DATE	
REV	DESCRIPTION	DATE	APPRD		DHJ 9/27/05	
ALL DIMENSIONS ARE IN DECIMAL INCHES TOLERANCES UNLESS OTHERWISE SPECIFIED DECIMAL +/- .125" FRACTION +/- 1/4" ANGLE +/- 2°					THIRD ANGLE PROJECTION ANSI 14.5M	NOTES: 1. POWDER COATED 2. WEIGHT PER BAND: 4 LBS. ©



ACE ROTO-MOLD

A DIVISION OF DEN HARTOG INDUSTRIES, INC.
4010 HOSPERS DRIVE S. BOX 425, HOSPERS, IOWA 51238-0421

CLIENT / DESCRIPTION		35 GALLON STEEL BAND	
SCALE	N.S.	PART NO.	FS0035-SBPFS