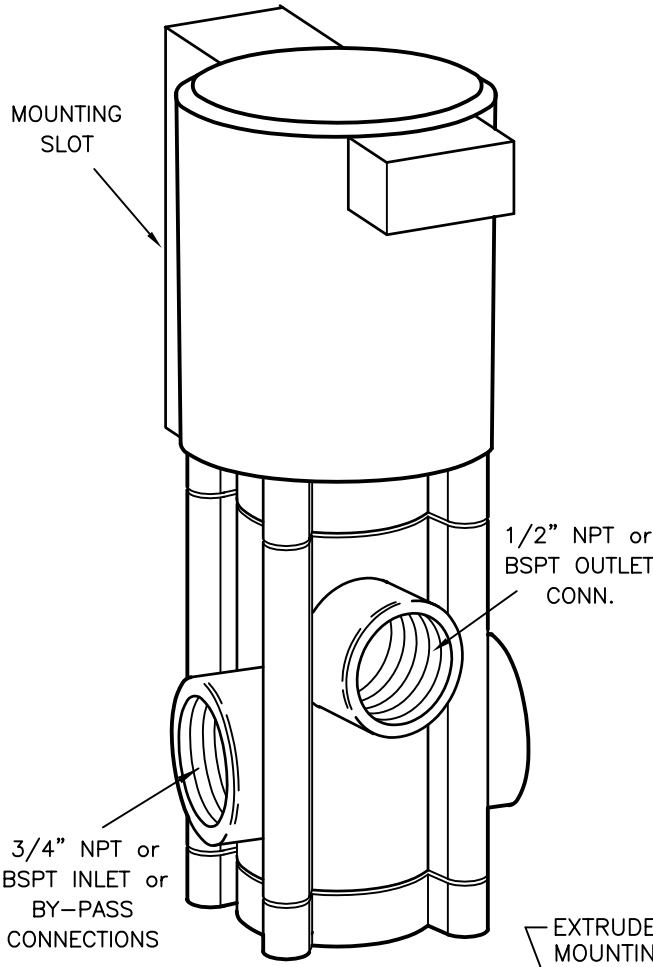


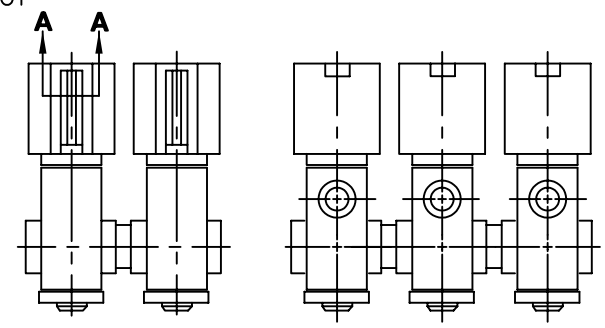
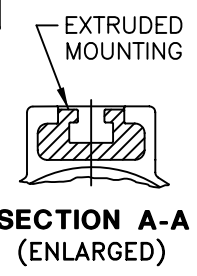
THE AA144P HIGH PRESSURE SOLENOID-OPERATED DIRECTOVALVE WAS SPECIFICALLY DESIGNED TO PROVIDE A REMOTE ON-OFF BOOM CONTROL FOR AGRICULTURAL AND TURF SPRAYERS. IT IS POWERED BY THE RIG'S 12 VOLT D.C. ELECTRICAL SYSTEM AND IS DIRECT ACTING - WITH LARGE INTERNAL FLOW CHAMBERS, THEREBY MAKING IT SUITABLE FOR WETTABLE POWDER APPLICATIONS. THE UNIT IS COMPATIBLE WITH THE SPRAYING SYSTEMS SPRAYER CONTROLS.



**AA144P-1  
DIRECTOVALVE  
BOOM CONTROL  
VALVE**

**FEATURES INCLUDE:**

- OPERATING PRESSURE RANGE 0 TO 100 PSI (0 TO 7.0 bar)
- TWO 3/4" NPT or BSPT(F) INLET CONNECTIONS TO PROVIDE CONTINUOUS BYPASS FLOW.
- 1/2" NPT or BSPT(F) OUTLET TO SPRAY LINE.
- LARGE FLOW CAPACITIES...ONLY 5 P.S.I. (0.35 bar) PRESSURE DROP WITH 10 G.P.M. (37.9 L/min) FLOW.
- MOUNTING SLOT FOR 6MM HEX BOLT AS SHOWN BELOW. (BOLT NOT INCLUDED)
- NYLON ENCAPSULATED 12 VDC COIL WITH RECESSED 1/4" QUICK CONNECT TERMINALS... POWER REQUIREMENT 2.5 AMP.
- EXCELLENT CORROSION RESISTANCE.
- POLYPROPYLENE VALVE BODY.
- INTERNAL METAL PARTS ARE STAINLESS STEEL.
- CHEMICAL RESISTANT VITON SEAT WASHER AND DIAPHRAGMS.
- SOLENOID REQUIRES NO ADJUSTMENT.



CAN ALSO BE SUPPLIED AS TWO-UNIT ASSEMBLY (AA144P-2) AND AS A THREE-UNIT ASSEMBLY (AA144P-3).

AA144P-2

AA144P-3

**DESCRIPTION:**  
AA144P HIGH PRESSURE  
SOLENOID OPERATED  
DIRECTOVALVE®  
CONTROL VALVE

**Spraying Systems Co.®**  
Spray Nozzles and Accessories  
P.O. Box 7900 - Wheaton, Il. 60189-7900

Rev. No. 1  
Ref.

Data Sheet No.  
**144P**  
SHEET OF