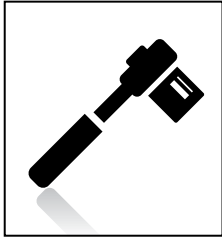
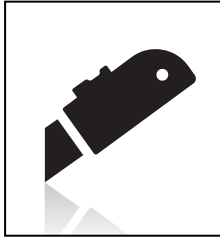


INCLUDED COMPONENTS

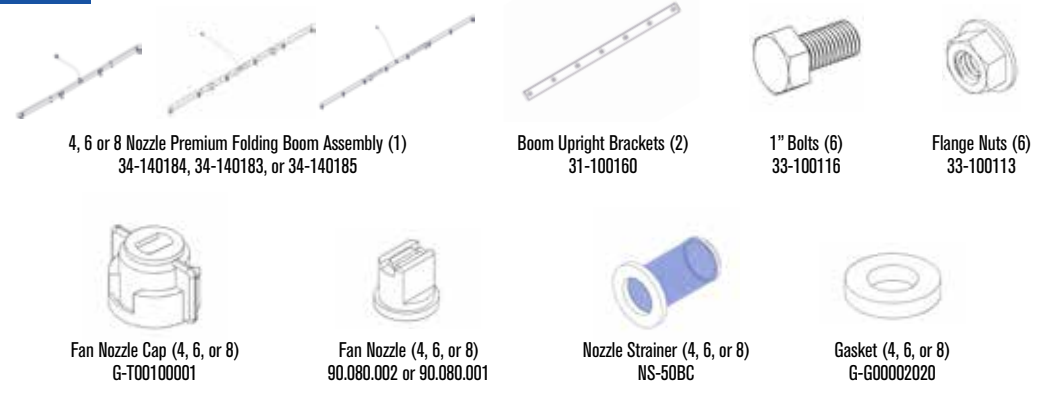
TOOLS REQUIRED



1/2" SOCKET WRENCH



KNIFE



NOTE:
IF YOU PURCHASED A COMPLETED BROADCAST SPRAYER, FOLLOW THE SPOT SPRAYER MANUAL AND MOUNT KIT ASSEMBLY INSTRUCTIONS BEFORE YOU COMPLETE BOOM ASSEMBLY STEPS.

SPRAYING SIMPLE
MOBILE SPRAY ASSISTANT

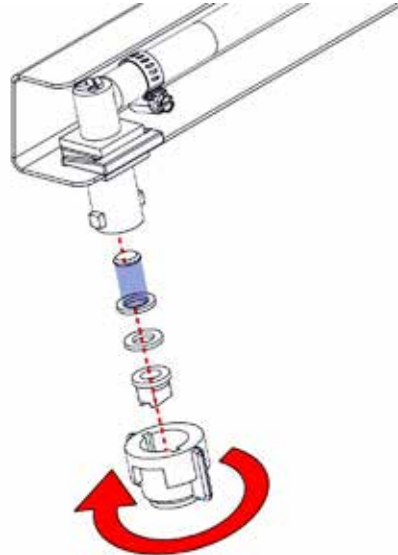
FREE



INTEGRATE YOUR SPRAY EQUIPMENT AND ACREAGE. CALCULATE YOUR NEEDED LIQUID AND APPLICATION SPEED.

1. PARTS

TOOLS
None



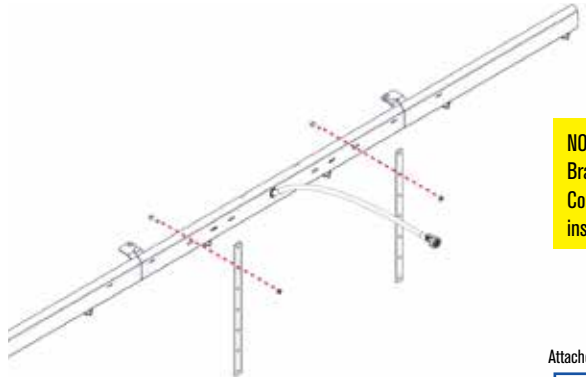
For each Nozzle Body, insert a Strainer, Gasket and Fan Nozzle as shown here.

Push Nozzle Cap onto the Nozzle Body and Twist to secure it. Repeat for all Nozzles (4, 6, or 8).



2. PARTS

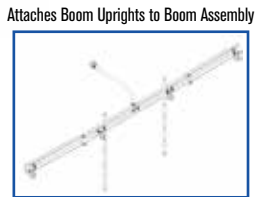
TOOLS



NOTE: Boom Upright Brackets may not be needed. Consult Mount Kit Assembly instructions.

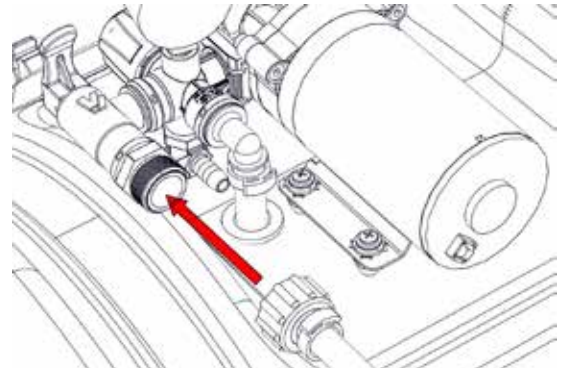
Secure Boom Assembly to Boom Upright Brackets with 1" Bolts and Flange Nuts. Tighten with Socket Wrench.

Use 1" Bolts and remaining Flange Nuts to install Boom Assembly with Boom Upright Brackets to Mount Kit.



3. PARTS

TOOLS



NOTE: Use a Knife to cut zip tie from Boom Assembly to free the Boom Hose.

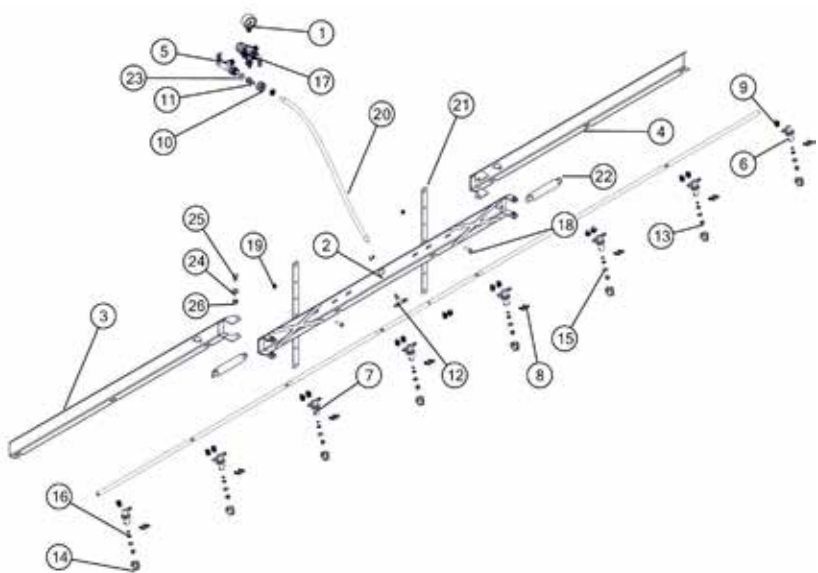
Connects Boom Assembly to Shut-Off Valve



Locate Boom Hose and make sure there is Washer in the end of Boom Cap.

Thread the Boom Hose to the Shut-Off Valve.

B. PREMIUM BOOM BREAKDOWN



T. PREMIUM BOOM TROUBLESHOOTING

PROBLEM	CAUSE	SOLUTION
Boom Doesn't Spray	Bad Electrical Connection	Check Battery Connections
	Boom Shut-Off Valve	Flip On Shut-Off Valve
Irregular Spray Pattern	Clogged Strainer	Unclog Strainer
	Pinched Or Clogged Hose	Unpinch or Unclog Hose
	Clogged Nozzles	Unclog Nozzles
	Damaged Spray Nozzles	Replace Nozzles
	No Nozzles In Boom	Install Nozzles Into Boom
	Incorrect Nozzle Size	Replace with Correct Nozzles
Boom Leaks	Nozzle Facing Wrong Direction	Adjust Nozzle To Correct Designation
	Loose Fasteners	Tighten Fasteners
	Loose Connection To Shut-Off Valve	Tighten Boom To Shut-Off Valve
Nozzles Drip After Use	Damaged Boom Hose	Replace Hose or Boom Kit
	No Ball Check Strainers	Install Ball Check Strainers

ID	Part Number	Description	Qty
1	1124DAB100	Pressure Gauge	1
2	31-100400	420/620/820 Boom Center Section	1
	32-100095		
	32-100057		
3	31-100402	420/620/820 Boom Left Section	1
	32-100097		
	32-100058		
4	31-100401	420/620/820 Boom Right Section	1
	32-100096		
	32-100059		
5	34-140161	Shut-Off Valve	1
6	31-400008	L Nozzle Body - 3/8" HB	2
7	31-400009	T Nozzle Body - 3/8" HB	2/4/6
8	31-400010	Boom Nozzle Clips	4/6/8
9	SHC-F	Snapper Hose Clamps - 3/8"	10/14/18
10	3B34	Swivel Nut - 3/4" FGHT	1
11	3C38	Flat Seat Hose Barb - 3/8"	1
12	3T38	Tee - 3/8" HB	1
13	90.080.001	Flat Fan Nozzle - Yellow (420 & 620 Boom)/ Orange (820 Boom)	4/6/8
	90.080.002		

ID	Part Number	Description	Qty
14	G-T00100001	Fan Nozzle Caps	4/6/8
15	G-G00002020	Gasket	4/6/8
16	NS-50BC	Nozzle Strainer - 50 Mesh	4/6/8
17	33-140158	Pressure Regulator Assembly	1
18	33-100116	Bolts - 1"	6
19	33-100113	Flange Nuts	6
20	33-103153	Rubber Hose - 3/8"	1
21	31-100160 ²	Boom Upright Brackets	2
22	33-103968*	Spring Extensions	2
23	W406V	Washer - 1" OD x 3/4" ID	1
24	33-103966	Washer - 4 Nozzle .281" ID x .734" OD / 6 & 8 Nozzle .34" ID x .74" OD	4
	33-103967		
25	33-200120	Bolts - 1/2" (420 Boom)/ Hex Bolts - 3/4" (620 & 820 Boom)	4
	33-103148		
26	33-100187	Nylock Nut - 1/4" (420 Boom) / 5/16" (620 & 820 Boom)	4
	33-100120		

* Not Included with the Four Nozzle Premium Boom