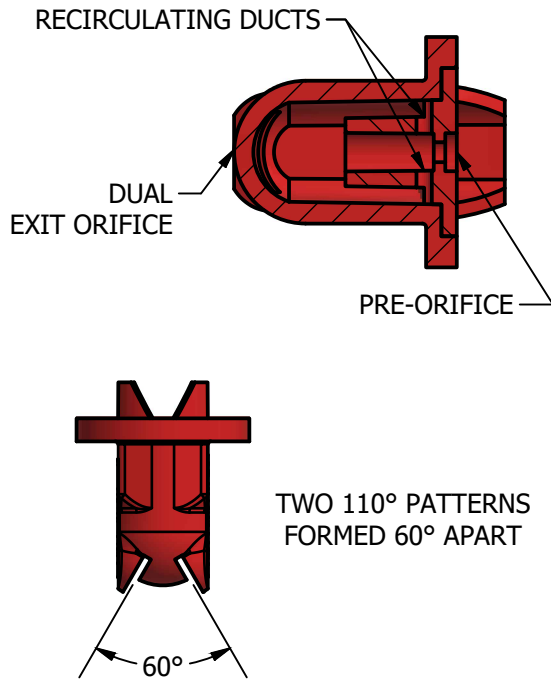
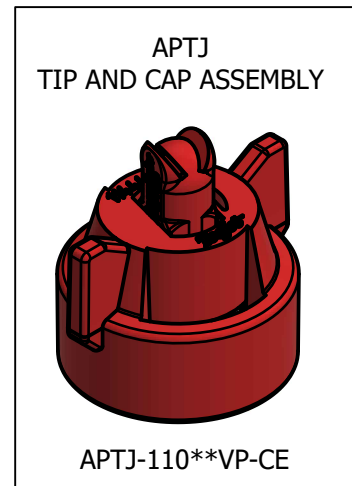
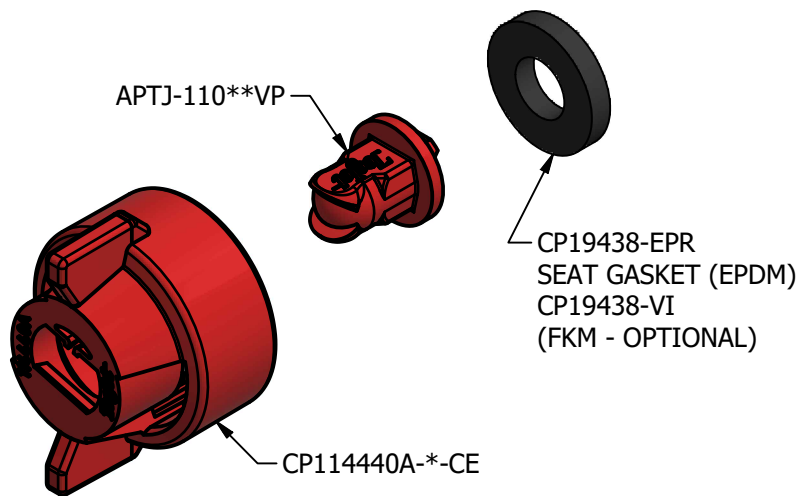


AccuPulse® TwinJet®



FEATURES:

- SPECIFICALLY DESIGNED FOR USE ON SPRAYERS EQUIPPED WITH PULSE WIDTH MODULATION (PWM).
- ALSO IDEAL FOR NON-PWM APPLICATIONS, WHERE MAXIMUM DRIFT CONTROL IS REQUIRED.
- NON-AIR INDUCTION, TWIN SPRAY TIP PRODUCES HIGHLY DRIFT RESISTANT DROPLETS (XC, UC).
- PATENT PENDING RECIRCULATING FLOW DESIGN RESULTS IN EXCELLENT SPRAY DISTRIBUTION QUALITY.
- OPTIMAL FOR BURNDOWN, PRE-EMERGENCE, AND POST-EMERGENCE SYSTEMIC APPLICATIONS.
- TWIN SPRAY PATTERN ALLOWS FOR IMPROVED COVERAGE AND CANOPY PENETRATION.
- COMPACT DESIGN FITS INTO TIGHT BOOM SPACES AND IS LESS LIKELY TO BE DAMAGED.
- ACETAL MATERIAL FOR LONG WEAR LIFE AND EXCELLENT CHEMICAL COMPATABILITY.
- WIDE OPERATING PRESSURE AND MULTIPLE CAPACITIES TO CHOOSE FROM, SUPPORTS A WIDE RANGE OF GROUND SPEEDS AND APPLICATION VOLUMES.
- SUGGESTED SPRAY PRESSURE RANGE: 20-100 PSI.
- AUTOMATIC SPRAY ALIGNMENT WITH 114441A-_-CELR QUICK TEEJET® CAP AND GASKET OR CP114440A-_-CE CAP



DROPLET SIZE CATEGORIES	
UC	XC
ULTRA COARSE	EXTREMELY COARSE

DROPLET SIZE CLASSIFICATIONS IN ACCORDANCE WITH ISO 25358 AT THE DATE OF PRINTING. CLASSIFICATIONS ARE SUBJECT TO CHANGE.

OPTIMUM SPRAY HEIGHT	
20" SPACING	30" SPACING
20"	30"

PATENT PENDING

DESCRIPTION:

GALLONS PER ACRE
TABULATION FOR
APTJ-110_VP
ACCUPULSE® TWINJET®
POLYMER TWIN FLAT SPRAY TIP

TeeJet®
TECHNOLOGIES

REVISION NO.

DATASHEET

REFERENCE:

DS116905

4/1/2021


SHEET: 1 OF 3

DWG SIZE:

A

TIP COLOR VISIFLO	TIP No. STRAINER MESH SIZE	LIQUID PRESSURE (PSI)	DROPLET SIZE	CAPACITY ONE NOZZLE (GPM)	CAPACITY ONE NOZZLE (oz./min)	GALLONS PER ACRE 20" NOZZLE SPACING								GALLONS PER 1000 Sq. Ft. 20" NOZZLE SPACING			
						4 MPH	5 MPH	6 MPH	8 MPH	10 MPH	12 MPH	15 MPH	20 MPH	2 MPH	3 MPH	4 MPH	5 MPH
GREEN	APTJ-110015VP (100 MESH)	20	UC	0.115	15	8.5	6.8	5.7	4.3	3.4	2.8	2.3	1.7	0.39	0.26	0.20	0.16
		30	UC	0.134	17	9.9	8.0	6.6	5.0	4.0	3.3	2.7	2.0	0.46	0.30	0.23	0.18
		40	UC	0.150	19	11.1	8.9	7.4	5.6	4.5	3.7	3.0	2.2	0.51	0.34	0.26	0.20
		50	UC	0.163	21	12.1	9.7	8.1	6.1	4.8	4.0	3.2	2.4	0.55	0.37	0.28	0.22
		60	XC	0.175	22	13.0	10.4	8.7	6.5	5.2	4.3	3.5	2.6	0.60	0.40	0.30	0.24
		70	XC	0.185	24	13.7	11.0	9.2	6.9	5.5	4.6	3.7	2.7	0.63	0.42	0.31	0.25
		80	XC	0.195	25	14.5	11.6	9.7	7.2	5.8	4.8	3.9	2.9	0.66	0.44	0.33	0.27
		90	XC	0.204	26	15.1	12.1	10.1	7.6	6.1	5.0	4.0	3.0	0.69	0.46	0.35	0.28
		100	XC	0.212	27	15.7	12.6	10.5	7.9	6.3	5.2	4.2	3.1	0.72	0.48	0.36	0.29
YELLOW	APTJ-11002VP (100 MESH)	20	UC	0.15	19	11.1	8.9	7.4	5.6	4.5	3.7	3.0	2.2	0.51	0.34	0.26	0.20
		30	UC	0.18	23	13.4	10.7	8.9	6.7	5.3	4.5	3.6	2.7	0.61	0.41	0.31	0.24
		40	UC	0.20	26	14.9	11.9	9.9	7.4	5.9	5.0	4.0	3.0	0.68	0.45	0.34	0.27
		50	UC	0.22	28	16.3	13.1	10.9	8.2	6.5	5.4	4.4	3.3	0.75	0.50	0.37	0.30
		60	UC	0.23	29	17.1	13.7	11.4	8.5	6.8	5.7	4.6	3.4	0.78	0.52	0.39	0.31
		70	XC	0.25	32	18.6	14.9	12.4	9.3	7.4	6.2	5.0	3.7	0.85	0.57	0.43	0.34
		80	XC	0.26	33	19.3	15.4	12.9	9.7	7.7	6.4	5.1	3.9	0.88	0.59	0.44	0.35
		90	XC	0.27	35	20.0	16.0	13.4	10.0	8.0	6.7	5.3	4.0	0.92	0.61	0.46	0.37
		100	XC	0.28	36	20.8	16.6	13.9	10.4	8.3	6.9	5.5	4.2	0.95	0.63	0.48	0.38
VIOLET	APTJ-110025VP (100 MESH)	20	UC	0.19	24	14.1	11.3	9.4	7.1	5.6	4.7	3.8	2.8	0.65	0.43	0.32	0.26
		30	UC	0.22	28	16.3	13.1	10.9	8.2	6.5	5.4	4.4	3.3	0.75	0.50	0.37	0.30
		40	UC	0.25	32	18.6	14.9	12.4	9.3	7.4	6.2	5.0	3.7	0.85	0.57	0.43	0.34
		50	UC	0.27	35	20.0	16.0	13.4	10.0	8.0	6.7	5.3	4.0	0.92	0.61	0.46	0.37
		60	UC	0.29	37	21.5	17.2	14.4	10.8	8.6	7.2	5.7	4.3	0.99	0.66	0.49	0.39
		70	XC	0.31	40	23.0	18.4	15.3	11.5	9.2	7.7	6.1	4.6	1.1	0.70	0.53	0.42
		80	XC	0.33	42	24.5	19.6	16.3	12.3	9.8	8.2	6.5	4.9	1.1	0.75	0.56	0.45
		90	XC	0.34	44	25.2	20.2	16.8	12.6	10.1	8.4	6.7	5.0	1.2	0.77	0.58	0.46
		100	XC	0.35	45	26.0	20.8	17.3	13.0	10.4	8.7	6.9	5.2	1.2	0.79	0.60	0.48
BLUE	APTJ-11003VP (50 MESH)	20	UC	0.23	29	17.1	13.7	11.4	8.5	6.8	5.7	4.6	3.4	0.78	0.52	0.39	0.31
		30	UC	0.27	35	20.0	16.0	13.4	10.0	8.0	6.7	5.3	4.0	0.92	0.61	0.46	0.37
		40	UC	0.30	38	22.3	17.8	14.9	11.1	8.9	7.4	5.9	4.5	1.0	0.68	0.51	0.41
		50	UC	0.33	42	24.5	19.6	16.3	12.3	9.8	8.2	6.5	4.9	1.1	0.75	0.56	0.45
		60	UC	0.35	45	26.0	20.8	17.3	13.0	10.4	8.7	6.9	5.2	1.2	0.79	0.60	0.48
		70	XC	0.37	47	27.5	22.0	18.3	13.7	11.0	9.2	7.3	5.5	1.3	0.84	0.63	0.50
		80	XC	0.39	50	29.0	23.2	19.3	14.5	11.6	9.7	7.7	5.8	1.3	0.88	0.66	0.53
		90	XC	0.41	52	30.4	24.4	20.3	15.2	12.2	10.1	8.1	6.1	1.4	0.93	0.70	0.56
		100	XC	0.42	54	31.2	24.9	20.8	15.6	12.5	10.4	8.3	6.2	1.4	0.95	0.71	0.57
RED	APTJ-11004VP (50 MESH)	20	UC	0.31	40	23.0	18.4	15.3	11.5	9.2	7.7	6.1	4.6	1.1	0.70	0.53	0.42
		30	UC	0.36	46	26.7	21.4	17.8	13.4	10.7	8.9	7.1	5.3	1.2	0.82	0.61	0.49
		40	UC	0.40	51	29.7	23.8	19.8	14.9	11.9	9.9	7.9	5.9	1.4	0.91	0.68	0.54
		50	UC	0.43	55	31.9	25.5	21.3	16.0	12.8	10.6	8.5	6.4	1.5	0.97	0.73	0.58
		60	UC	0.47	60	34.9	27.9	23.3	17.4	14.0	11.6	9.3	7.0	1.6	1.1	0.80	0.64
		70	XC	0.49	63	36.4	29.1	24.3	18.2	14.6	12.1	9.7	7.3	1.7	1.1	0.83	0.67
		80	XC	0.52	67	38.6	30.9	25.7	19.3	15.4	12.9	10.3	7.7	1.8	1.2	0.88	0.71
		90	XC	0.54	69	40.1	32.1	26.7	20.0	16.0	13.4	10.7	8.0	1.8	1.2	0.92	0.73
		100	XC	0.56	72	41.6	33.3	27.7	20.8	16.6	13.9	11.1	8.3	1.9	1.3	0.95	0.76
BROWN	APTJ-11005VP (50 MESH)	20	UC	0.38	49	28.2	22.6	18.8	14.1	11.3	9.4	7.5	5.6	1.3	0.86	0.65	0.52
		30	UC	0.45	58	33.4	26.7	22.3	16.7	13.4	11.1	8.9	6.7	1.5	1.0	0.77	0.61
		40	UC	0.50	64	37.1	29.7	24.8	18.6	14.9	12.4	9.9	7.4	1.7	1.1	0.85	0.68
		50	UC	0.55	70	40.8	32.7	27.2	20.4	16.3	13.6	10.9	8.2	1.9	1.2	0.94	0.75
		60	UC	0.59	76	43.8	35.0	29.2	21.9	17.5	14.6	11.7	8.8	2.0	1.3	1.0	0.80
		70	XC	0.63	81	46.8	37.4	31.2	23.4	18.7	15.6	12.5	9.4	2.1	1.4	1.1	0.86
		80	XC	0.66	84	49.0	39.2	32.7	24.5	19.6	16.3	13.1	9.8	2.2	1.5	1.1	0.90
		90	XC	0.69	88	51.2	41.0	34.2	25.6	20.5	17.1	13.7	10.2	2.3	1.6	1.2	0.94
		100	XC	0.72	92	53.5	42.8	35.6	26.7	21.4	17.8	14.3	10.7	2.4	1.6	1.2	0.98

*DUE TO THE UNIQUE DESIGN OF APTJ, FLOW RATE AND APPLICATION RATE VALUES ON THIS CHART ARE SPECIFIC TO APTJ AND DIFFER FROM OTHER FLAT SPRAY RATE CHARTS.

DESCRIPTION: GALLONS PER ACRE TABULATION FOR APTJ-110_VP ACCUPULSE® TWINJET® POLYMER TWIN FLAT SPRAY TIP		
	REVISION NO.	DATASHEET
	REFERENCE:	DS116905
	4/1/2021	SHEET: 2 OF 3 DWG SIZE: A

TIP COLOR VISIFLO	TIP No. STRAINER MESH SIZE	LIQUID PRESSURE (PSI)	DROPLET SIZE	CAPACITY ONE NOZZLE (GPM)	CAPACITY ONE NOZZLE (oz./min)	GALLONS PER ACRE 20" NOZZLE SPACING								GALLONS PER 1000 Sq. Ft. 20" NOZZLE SPACING			
						4 MPH	5 MPH	6 MPH	8 MPH	10 MPH	12 MPH	15 MPH	20 MPH	2 MPH	3 MPH	4 MPH	5 MPH
GRAY	APTJ- 11006VP (50 MESH)	20	UC	0.45	58	33	27	22	16.7	13.4	11.1	8.9	6.7	1.5	1.0	0.77	0.61
		30	UC	0.53	68	39	31	26	19.7	15.7	13.1	10.5	7.9	1.8	1.2	0.90	0.72
		40	UC	0.60	77	45	36	30	22	17.8	14.9	11.9	8.9	2.0	1.4	1.0	0.82
		50	UC	0.66	84	49	39	33	25	19.6	16.3	13.1	9.8	2.2	1.5	1.1	0.90
		60	UC	0.71	91	53	42	35	26	21	17.6	14.1	10.5	2.4	1.6	1.2	0.97
		70	XC	0.76	97	56	45	38	28	23	18.8	15.0	11.3	2.6	1.7	1.3	1.0
		80	XC	0.80	102	59	48	40	30	24	19.8	15.8	11.9	2.7	1.8	1.4	1.1
		90	XC	0.84	108	62	50	42	31	25	21	16.6	12.5	2.9	1.9	1.4	1.1
		100	XC	0.88	113	65	52	44	33	26	22	17.4	13.1	3.0	2.0	1.5	1.2
		WHITE	APTJ- 11008VP (50 MESH)	20	UC	0.60	77	45	36	30	22	17.8	14.9	11.9	8.9	2.0	1.4
30	UC			0.71	91	53	42	35	26	21	17.6	14.1	10.5	2.4	1.6	1.2	0.97
40	UC			0.80	102	59	48	40	30	24	19.8	15.8	11.9	2.7	1.8	1.4	1.1
50	UC			0.88	113	65	52	44	33	26	22	17.4	13.1	3.0	2.0	1.5	1.2
60	UC			0.95	122	71	56	47	35	28	24	18.8	14.1	3.2	2.2	1.6	1.3
70	XC			1.02	131	76	61	50	38	30	25	20	15.1	3.5	2.3	1.7	1.4
80	XC			1.08	138	80	64	53	40	32	27	21	16.0	3.7	2.4	1.8	1.5
90	XC			1.13	145	84	67	56	42	34	28	22	16.8	3.8	2.6	1.9	1.5
100	XC			1.18	151	88	70	58	44	35	29	23	17.5	4.0	2.7	2.0	1.6

*DUE TO THE UNIQUE DESIGN OF APTJ, FLOW RATE AND APPLICATION RATE VALUES ON THIS CHART ARE SPECIFIC TO APTJ AND DIFFER FROM OTHER FLAT SPRAY RATE CHARTS.

DESCRIPTION:
**GALLONS PER ACRE
TABULATION FOR
APTJ-110_VP
ACCUPULSE®TWINJET®
POLYMER TWIN FLAT SPRAY TIP**



REVISION NO.

DATASHEET

REFERENCE:

DS116905

4/1/2021

SHEET: 3 OF 3

DWG SIZE:

A